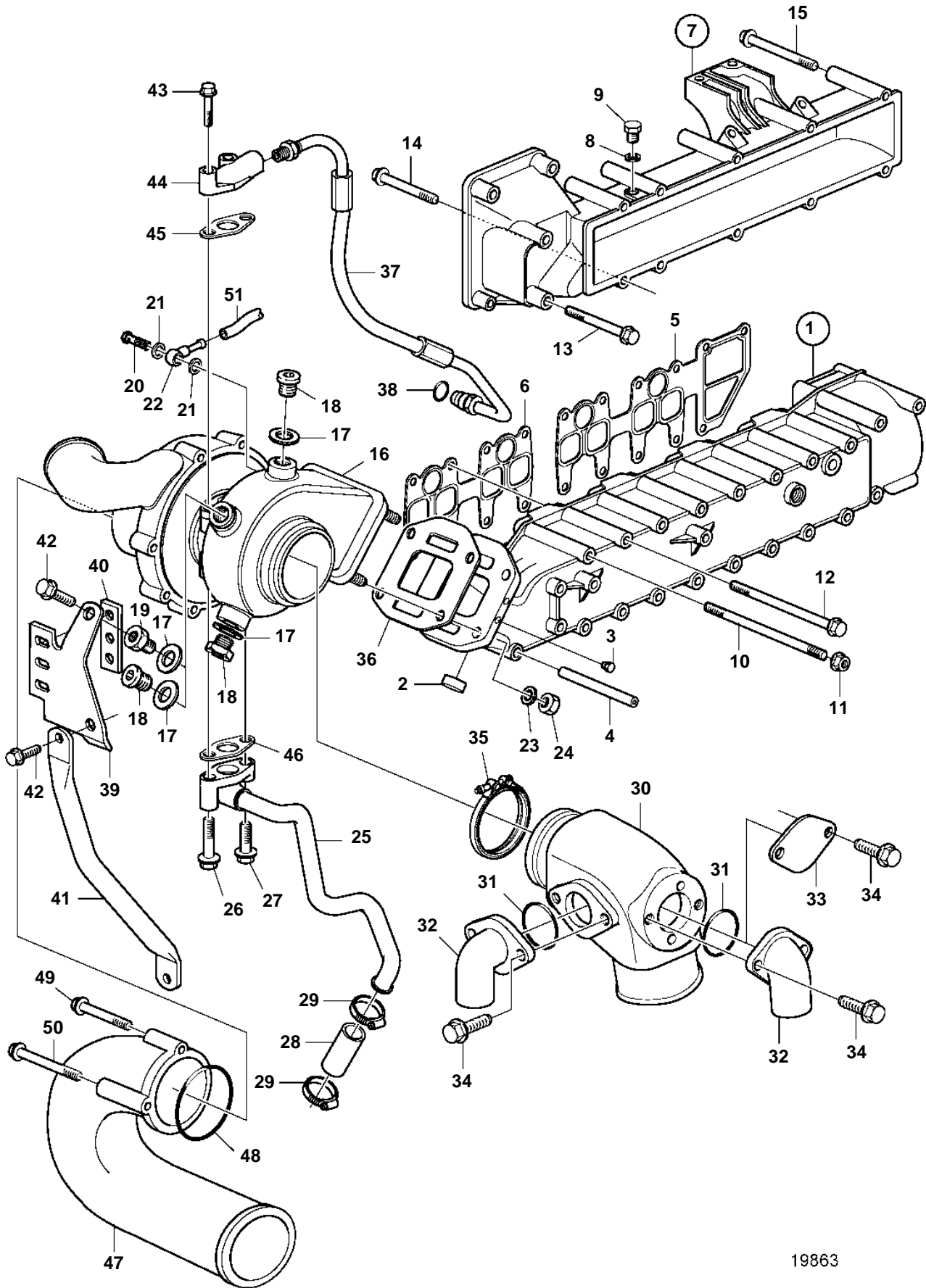


D4-260I-A, D4-260I-B, D4-260A-A, D4-260A-B



19863

D4-260I-A, D4-260I-B, D4-260A-A, D4-260A-B

REF	PART NO.	QTY	DESCRIPTION	NOTES
1	889109	1	Exhaust manifold	
2	8131707	1	· Cap plug	
3	479979	1	· Plug	
4	3583116	1	· Locating pin	
5	3583336	1	Gasket	
6	3582725	1	Gasket	
7	3808941	1	Inlet pipe	(3588032)
8	11994	1	· Gasket	
9	966142	1	· Plug	
10	948194	4	Stud	
11	945408	4	Flange nut	
12	968999	16	Screw	L=130mm
13	947760	1	Flange screw	
14	965184	9	Screw	L=100mm
15	965182	1	Flange screw	L=80mm
16	3582768	1	Turbo	
	3802149	1	Turbocharger, exch Comps. not spec.	Exchange unit
17	947627	2	Gasket	
18	861551	1	Plug	
19	861646	2	Plug	
20	969299	1	Hollow screw	
21	11994	2	Gasket	
22	858750	1	Banjo nipple	
23	955895	4	Washer	
24	940183	4	Nut	
25	3582967	1	Oil return pipe	
26	948217	1	Flange screw	
27	945444	1	Flange screw	
28	466328	1	Rubber hose	
29	943474	2	Hose clamp	
30	3583856	1	Exhaust riser	
31	969415	2	O-ring	
32	3819016	2	Connector	(3583915)
33	3584006	1	Cover	
34	946934	4	Flange screw	
35	842993	1	Clamp	
36	3583335	1	Gasket	
37	3582968	1	Oil feed pipe	
38	976971	1	O-ring	
39	3586073	1	Bracket	
40		1	· Nut plate	
41	3586071	1	Support	
42	946471	2	Screw	
43	947760	2	Flange screw	
44	8192268	1	Flange	
45	420641	1	Gasket	
46	860105	1	Gasket	
47	3812945	1	Connector	(888445)
48	949841	1	Sealing ring	
49	965180	1	Flange screw	
50	968842	2	Flange screw	
51	942700	X	Hose	L=600mm