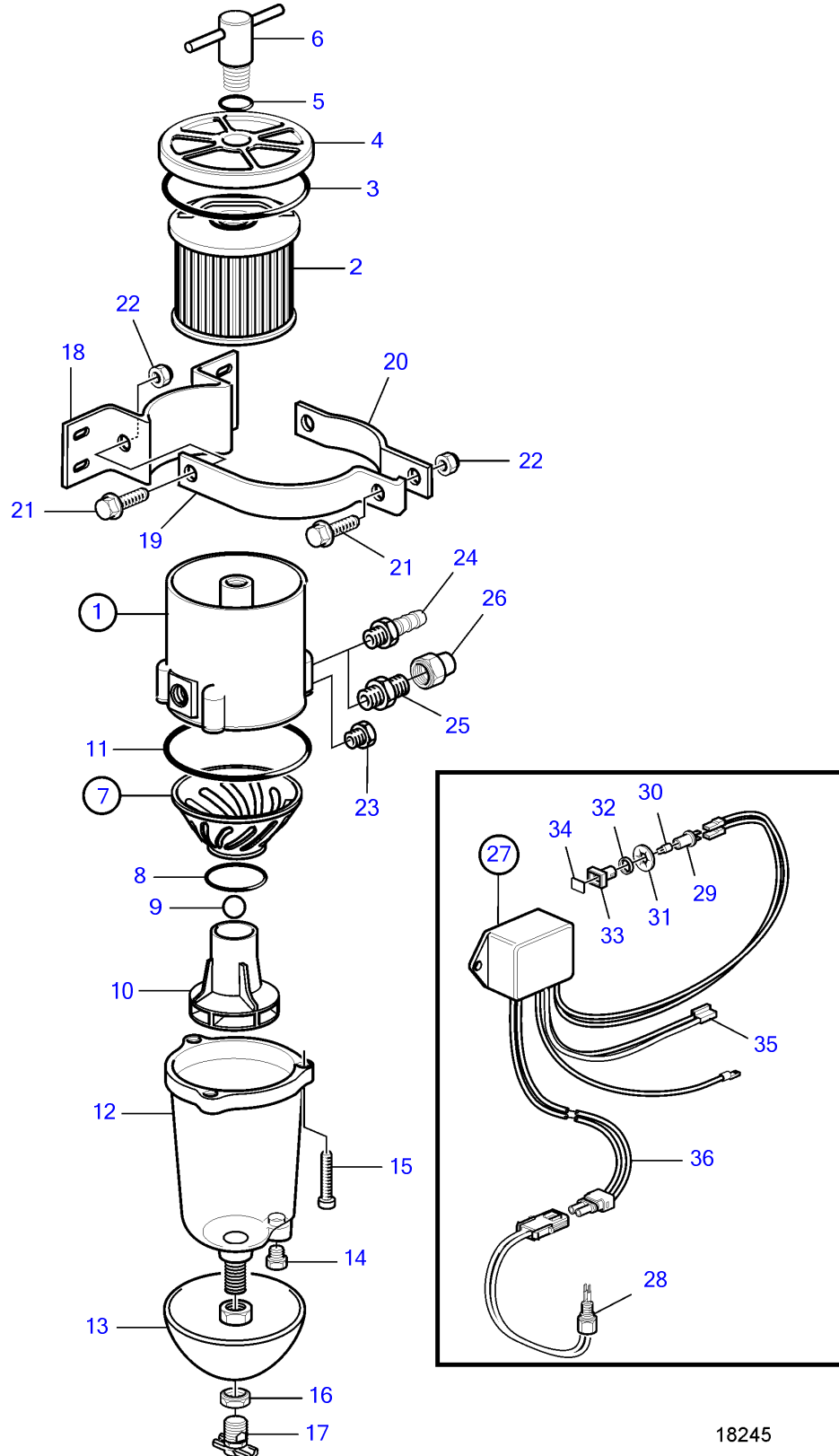


D6-280A-A, D6-280A-B, D6-280A-C, D6-280A-D, D6-280A-E, D6-280I-A, D6-280I-B, D6-280I-C, D6-280I-D, D6-280I-E, D6-310I-A, D6-310A-A, D6-310A-B, D6-310A-C, D6-310A-D, D6-310D-B, D6-310D-C, D6-310D-D, D6-310I-B, D6-310I-C, D6-310I-D, D6-330A-B, D6-330A-C, D6-330A-D, D6-330D-B, D6-330D-C, D6-330D-D, D6-330I-B, D6-330I-C, D6-330I-D, D6-350A-A, D6-350A-B, D6-370A-B, D6-370A-C, D6-370A-D, D6-370D-B, D6-370D-C, D6-370D-D, D6-370I-A, D6-370I-B, D6-370I-C, D6-370I-D, D6-310A-E, D6-310D-E, D6-310I-E, D6-330A-E, D6-330D-E, D6-330I-E, D6-370A-E, D6-370D-E, D6-370I-E, D6-400A-E, D6-435D-A, D6-435D-D, D6-435D-C, D6-435D-E, D6-435I-A, D6-435I-C, D6-435I-D, D6-435I-E, DPH-A, DPH-B, DPR-A, DPR-B, IPS-A, IPS-B, IPS-C, IPS-D, IPS-E, IPS-F



18245

D6-280A-A, D6-280A-B, D6-280A-C, D6-280A-D, D6-280A-E, D6-280I-A, D6-280I-B, D6-280I-C, D6-280I-D, D6-280I-E, D6-310I-A, D6-310A-A, D6-310A-B, D6-310A-C, D6-310A-D, D6-310D-B, D6-310D-C, D6-310D-D, D6-310I-B, D6-310I-C, D6-310I-D, D6-330A-B, D6-330A-C, D6-330A-D, D6-330D-B, D6-330D-C, D6-330D-D, D6-330I-B, D6-330I-C, D6-330I-D, D6-350A-A, D6-350A-B, D6-370A-B, D6-370A-C, D6-370A-D, D6-370D-B, D6-370D-C, D6-370D-D, D6-370I-A, D6-370I-B, D6-370I-C, D6-370I-D, D6-310A-E, D6-310D-E, D6-310I-E, D6-330A-E, D6-330D-E, D6-330I-E, D6-370A-E, D6-370D-E, D6-370I-E, D6-400A-E, D6-435D-A, D6-435D-D, D6-435D-C, D6-435D-E, D6-435I-A, D6-435I-C, D6-435I-D, D6-435I-E, DPH-A, DPH-B, DPR-A, DPR-B, IPS-A, IPS-B, IPS-C, IPS-D, IPS-E, IPS-F

REF	PART NO.	QTY	DESCRIPTION	SEE SEC.	NOTES
1	3582350	1	Fuel filter		Repl by 877763
			• Bulletin 50-11A	50-11A-EN	Fuel Filters / Water Separators
1	877763	1	Fuel filter		
			•	37059	
2	861014	1	• Insert		
3	838504	1	• Gasket		
4		1	• Lock		
5	838505	1	• O-ring		
6		1	• Handle		
7	861455	1	• O-ring		
8		1	• • O-ring		
9		1	• • Ball		
10		1	• • Insert		
11	3838861	1	• • Gasket		(838502)
12	3838849	1	Bowl		
13		1	• Heat shield		
14		1	• Plug		
15	950024	4	• Cross recessed screw		
16	861459	2	• Nut		
17	(861458)	1	• Faucet		Obsolete part
18		1	• Bracket		
19		1	• Clamp		
20		1	• Clamp		
21		3	• Screw		
22		3	• Nut		
23		1	• Plug		
24	3825000	X	Hose nipple		(834781)
25	954337	X	Nipple		
26	954323	X	Fitting nut		
27	1140724	1	Level guard		(1140609)
28	3588916	1	• Alarm kit		
29	808175	1	• Lamp socket		
30	19923	1	• Bulb		12V, 2W
	182059	1	• Bulb		24V, 3W
31	967583	1	• Retainer		
32	829714	1	• Sealing ring		
33	838455	1	• Retainer		
34	872591	1	• Symbol strip		
35		X	• cables and terminals	1963	
36	881774	1	Wiring harness		