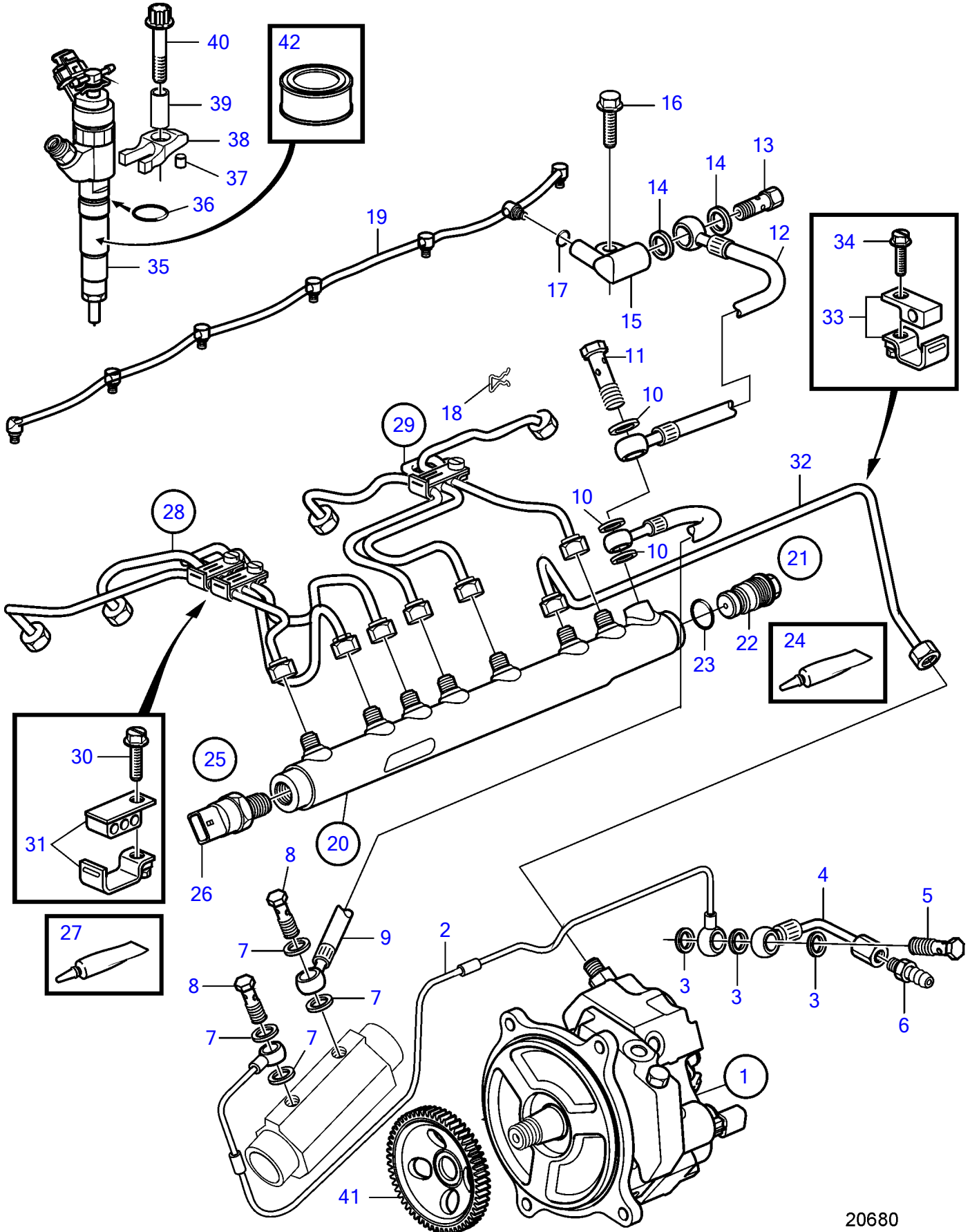


D6-400A-E, D6-435D-A, D6-435D-D, D6-435D-C, D6-435D-E, D6-435I-A, D6-435I-C, D6-435I-D, D6-435I-E



D6-400A-E, D6-435D-A, D6-435D-D, D6-435D-C, D6-435D-E, D6-435I-A, D6-435I-C, D6-435I-D, D6-435I-E

REF	PART NO.	QTY	DESCRIPTION	SEE SEC.	NOTES
1	3803633	1	High-pressure pump,		
			•	6600	
			•		
2	3583893	1	Fuel hose		
3	11994	3	Gasket		
4	3584199	1	Return connection		
5	947975	1	Hollow screw		
6	3825000	1	Hose nipple		
7	20852763	4	Sealing ring		
8	969299	2	Hollow screw		
9	3584368	1	Fuel hose		
10	11994	3	Gasket		
11	947975	1	Hollow screw		
12	3584366	1	Fuel hose		
13	3584427	1	Pressure retaining v		
14	969011	2	Gasket		
15	3583123	1	Valve housing		
16	946173	1	Flange screw		
17	3589700	7	O-ring		
18	3583122	1	Lock spring		
19	3582803	1	Leak-off line		
20	3885742	1	Rail		
21	3884353	1	• Pressure limiting va		
22	3884350	1	• • Pressure limiting va		
23	3588336	1	• • • O-ring		
24	828250	1	• • Lubricating grease		
			• Bulletin P-18-4-6	P-18-4-6-EN	Water resistant grease for grease gun
25	3884352	1	• Pressure sensor		
26		1	• • Pressure sensor		
27	828250	1	• • Lubricating grease		
			• Bulletin P-18-4-6	P-18-4-6-EN	Water resistant grease for grease gun
28	3812506	1	Delivery pipe kit		
29	3588027	1	Delivery pipe kit		
30	3586005	2	Screw		
31	3586007	2	Clamp		
32	3582796	1	Delivery pipe		
33	3588018	2	Clamp		
34	946544	2	Flange screw		
35	3801148	6	Injector		
36	3887602	6	O-ring		
37	3583442	6	Support		
38	3582669	6	Clamp		
39	889789	6	Sleeve		
40	3586690	6	Screw		
41	889749	1	Gear		
42	3588346	X	Lubricant		500G