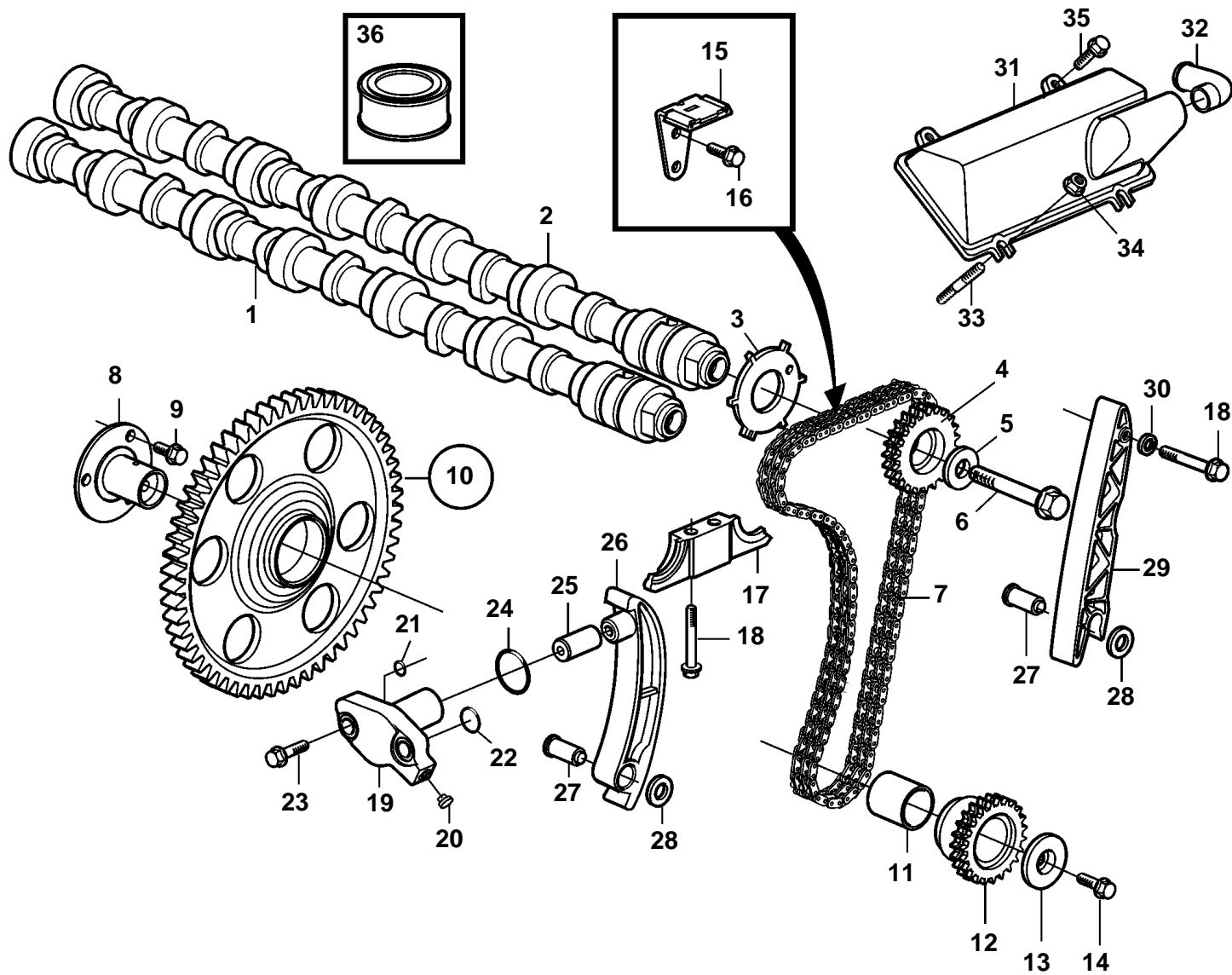


D6-280I-A, D6-280I-B, D6-280A-A, D6-280A-B, D6-310I-A, D6-310I-B, D6-310A-A, D6-310A-B, D6-310D-B, D6-350A-A, D6-350A-B, D6-370I-A, D6-370I-B, D6-370D-B



20000

D6-280I-A, D6-280I-B, D6-280A-A, D6-280A-B, D6-310I-A, D6-310I-B, D6-310A-A, D6-310A-B, D6-310D-B, D6-350A-A, D6-350A-B, D6-370I-A, D6-370I-B, D6-370D-B

REF	PART NO.	QTY	DESCRIPTION	NOTES
1	3587754	1	Camshaft, intake	
2	3587755	1	Camshaft, exhaust	
3	3582856	1	Gear	
4	3582646	2	Sprocket wheel	
5	3583032	2	Washer	
6	984307	2	Flange screw	
7	3582642	1	Camshaft chain	
8	3582651	1	Hub	
9	946440	3	Flange screw	
10	3582647	1	Idler gear	
11		1	· Bushing	
12		1	· Sprocket	
13	3582652	1	Washer	
14	945444	1	Flange screw	
15	3583576	1	Guide attachment	
16	946173	2	Flange screw	
17	3587634	1	Washer	
18	973924	3	Flange screw	
19	3583144	1	Retainer	
20	968060	1	· Plug	
21	947776	1	O-ring	
22	976039	1	O-ring	
23	946671	2	Flange screw	
24	975309	1	O-ring	
25	3582643	1	Chain tensioner	
26	3582644	1	Guide attachment	
27	3583208	2	Screw	
28	3587354	2	Washer	(949818)
29	3583874	1	Guide attachment	
30	964106	1	Gasket	
31	3583686	1	Cover	
32	3583959	1	· Elbow nipple	
33	953041	2	Stud	
34	945408	2	Flange nut	
35	946173	2	Flange screw	
36	3588346	X	Lubricant	500g