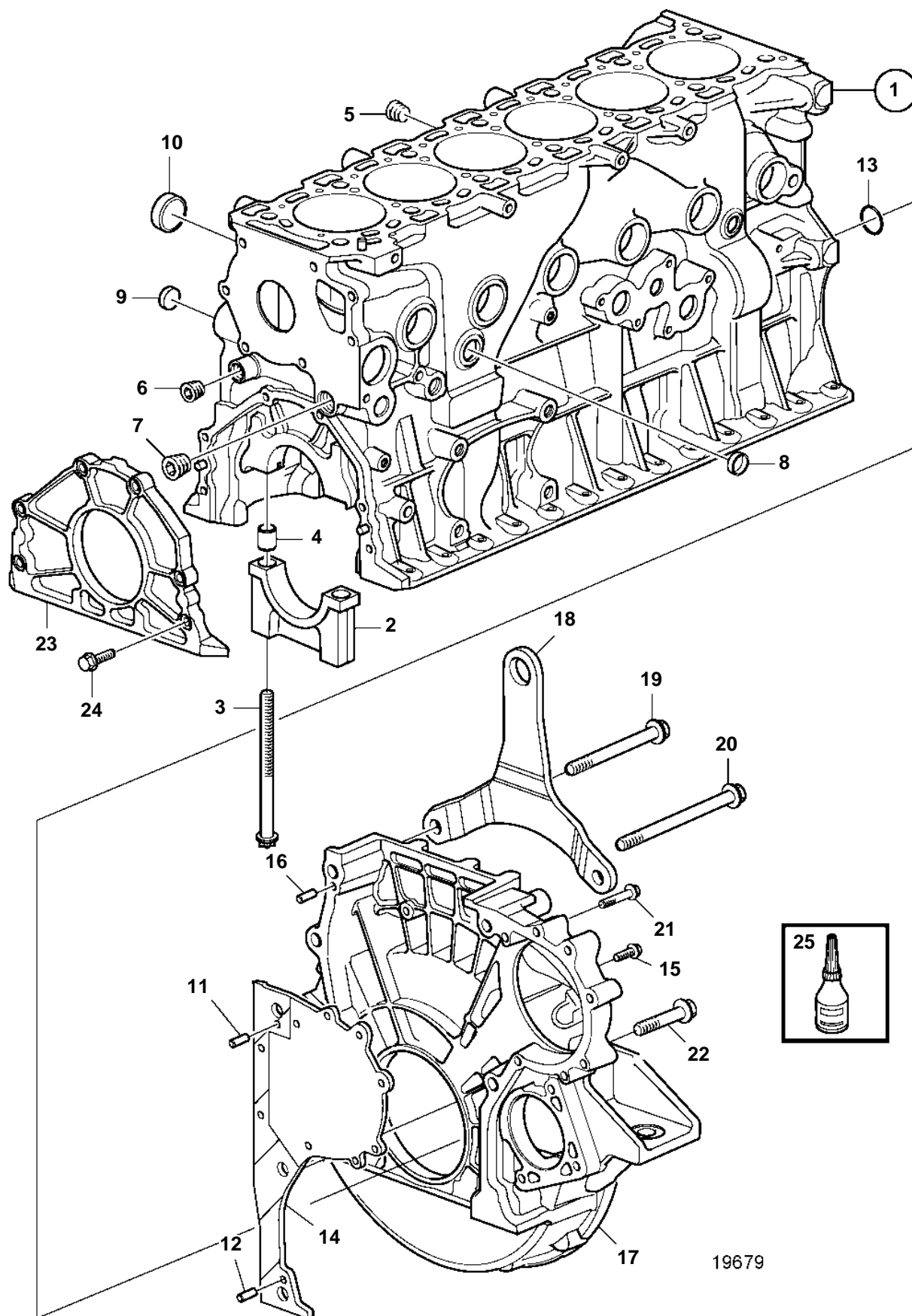


D6-280I-A, D6-280I-B, D6-280A-A, D6-280A-B, D6-310I-A, D6-310I-B, D6-310A-A, D6-310A-B, D6-310D-B, D6-350A-A, D6-350A-B, D6-370I-A, D6-370I-B, D6-370D-B



D6-280I-A, D6-280I-B, D6-280A-A, D6-280A-B, D6-310I-A, D6-310I-B, D6-310A-A, D6-310A-B, D6-310D-B, D6-350A-A, D6-350A-B, D6-370I-A, D6-370I-B, D6-370D-B

REF	PART NO.	QTY	DESCRIPTION
1	3583170	1	Cylinder block
2		7	· Main bearing cap
3	3581876	14	· Screw
4	3584214	14	· Guide sleeve
5	968061	1	· Plug
6	968063	2	· Plug
7	979947	2	· Plug
8	3583447	2	· Cap plug
9	8131706	6	· Cap plug
10	8131707	13	· Cap plug
11	950562	1	Pin
12	950566	1	Pin
13	976025	1	O-ring
14	3582847	1	Plate
15	946173	2	Flange screw
16	950564	5	Pin
17	3588754	1	Flywheel housing
18		1	Lifting eye
19	966371	1	Flange screw
20	966368	2	Flange screw
21	973924	3	Flange screw
22	966364	5	Flange screw
23	3582750	1	Cover
24	946671	6	Flange screw
25	888661	X	Sealant