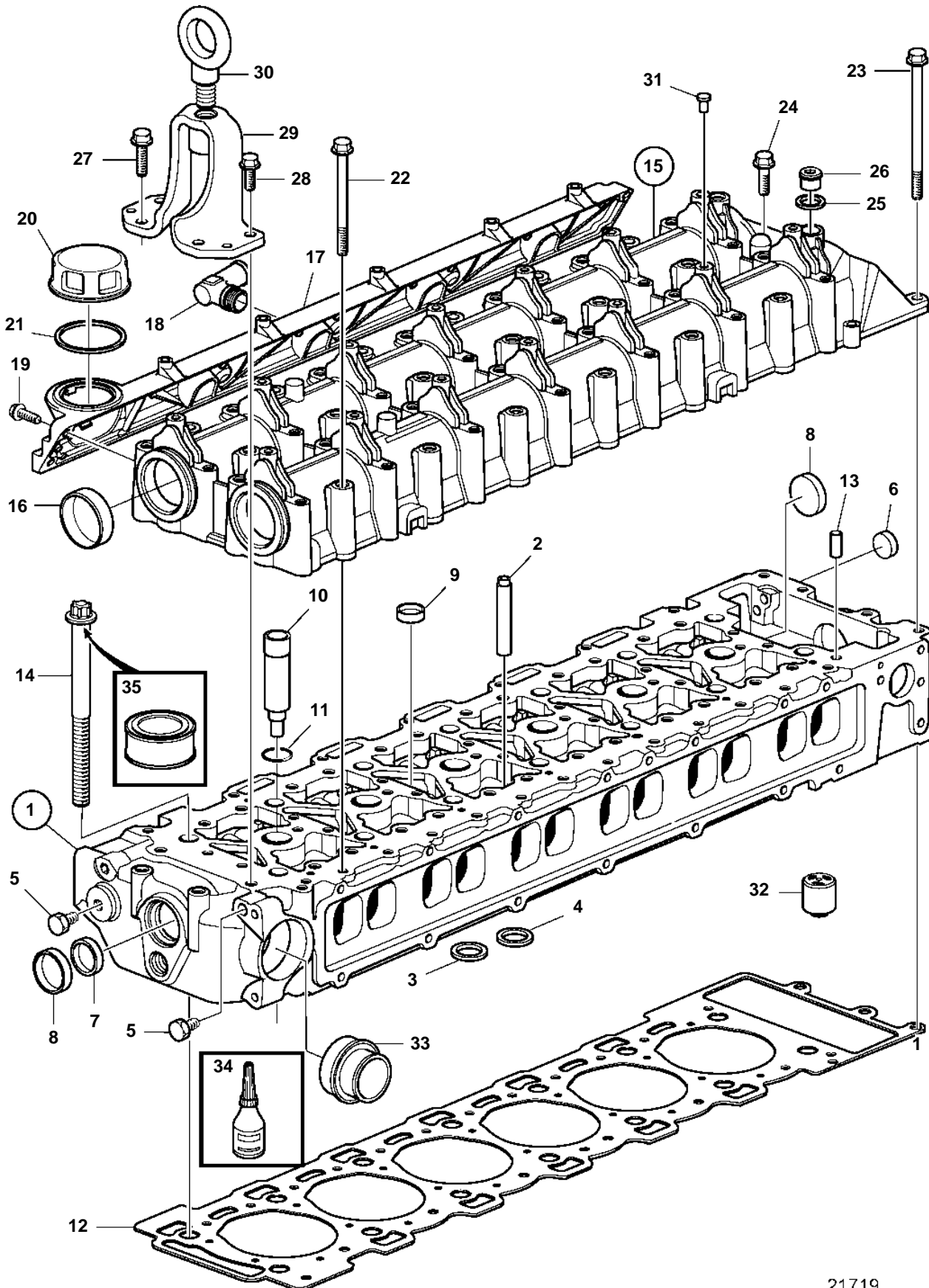


D6-280I-A, D6-280I-B, D6-280A-A, D6-280A-B, D6-310I-A, D6-310I-B, D6-310A-A, D6-310A-B, D6-310D-B, D6-350A-A, D6-350A-B, D6-370I-A, D6-370I-B, D6-370D-B



D6-280I-A, D6-280I-B, D6-280A-A, D6-280A-B, D6-310I-A, D6-310I-B, D6-310A-A, D6-310A-B, D6-310D-B, D6-350A-A, D6-350A-B, D6-370I-A, D6-370I-B, D6-370D-B

REF	PART NO.	QTY	DESCRIPTION	SEE SEC.	NOTES
1	3803888	1	Cylinder head, exch		
2	3580892	24	· Valve guide		
3	3581861	12	· Valve seat, intake		
4	3581862	12	· Valve seat, exhaust		
5	968060	4	· Plug		
6	3588502	2	· Cap plug		
7	8131706	2	· Cap plug		
8	8131707	2	· Cap plug		
9	3583579	11	· Cap plug		
10	889970	6	· Sleeve		
11	3583753	6	· O-ring		
12	3581869	1	Gasket		
13	950564	12	Pin		
14	3581866	14	Screw		
15	3583873	1	Valve cover		
16	8130035	2	· Cap plug		
17		1	· Valve cover		
18	3583959	1	· · Elbow nipple		
19	948356	7	· Screw		
20	1275403	1	Oil filler cap		
21	1275379	1	Gasket		
22	965182	40	Flange screw		
23	968999	3	Screw		
24	945444	1	Flange screw		
25	947622	2	Gasket		
26	966143	2	Plug		
27	946329	2	Flange screw		
28	946671	6	Flange screw		
29		1	Lifting eye		
30	984458	1	Lifting eye		
31	3584061	14	Washer		
32	3582933	2	Valve		
33	3808091	1	Pipe connection	7044	Included in kit 3818868.
34	1161370	1	Sealant	7044	50ml. Included in kit 3818868.
35	3588347	X	Assembly compound		