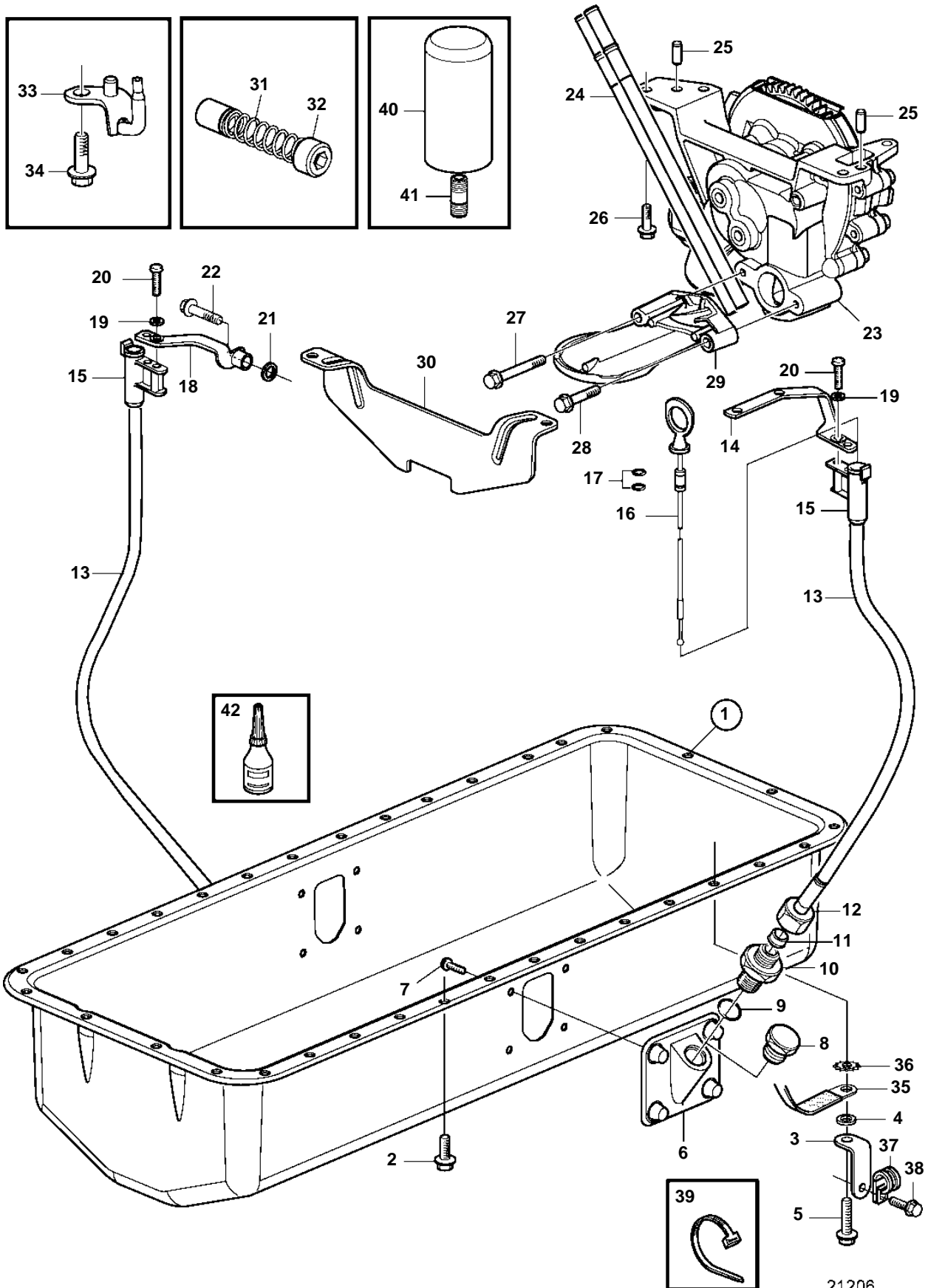


D6-280I-A, D6-280I-B, D6-280A-A, D6-280A-B, D6-310I-A, D6-310I-B, D6-310A-A, D6-310A-B, D6-310D-B, D6-350A-A, D6-350A-B, D6-370I-A, D6-370I-B, D6-370D-B



D6-280I-A, D6-280I-B, D6-280A-A, D6-280A-B, D6-310I-A, D6-310I-B, D6-310A-A, D6-310A-B, D6-310D-B, D6-350A-A, D6-350A-B, D6-370I-A, D6-370I-B, D6-370D-B

REF	PART NO.	QTY	DESCRIPTION	SEE SEC.	NOTES
1	3582792	1	Oil pan		
2	946440	29	Flange screw		
3	3584088	5	Bracket		
4	941744	5	Washer		
5	946173	4	Flange screw		
6	3583624	2	Pipe retainer		
7	969420	8	6 point socket screw		
8	3819272	1	Plug		(964089)
9	925058	2	O-ring		
10		1	Adapter		(3583466)
11	980782	1	Ferrule		
12	956984	1	Nut		
13	3807990	1	Tube		
14	3584459	1	Bracket		ALT
15		1	Bracket		
16	3589304	1	Oil dipstick		(3584465)
17	949187	2	O-ring		
18	3584458	1	Bracket		ALT
19	960138	1	Washer		
20	975378	1	6 point socket screw		
21	191172	1	Washer		
22	947760	1	Flange screw		
23	3582667	1	Oil pump		
				6479	
24	3583465	2	Oil draining pipe		
25	950564	2	Pin		
26	946173	4	Flange screw		
27	965181	1	Screw		L=70mm
28	973924	1	Flange screw		L=50mm
29	3583127	1	Oil pump screen		
30	3582791	1	Baffle plate		
31	3583079	1	Oil valve		
32	982121	1	Plug		
33	3583800	6	Oil jet		
34	3583804	6	Screw		
35	968048	1	Ground cable		Sump-alternator.
36	942767	1	Lock washer		
37	961664	1	Hose clamp		
38	945444	1	Flange screw		
39	948211	1	Strip clamp		
40	3582733	1	Oil filter	6719	
	3582732	1	Oil filter	6719	
41	423067	1	Nipple	6719	
	3583695	1	Nipple	6719	
42	888661	X	Sealant		300ml