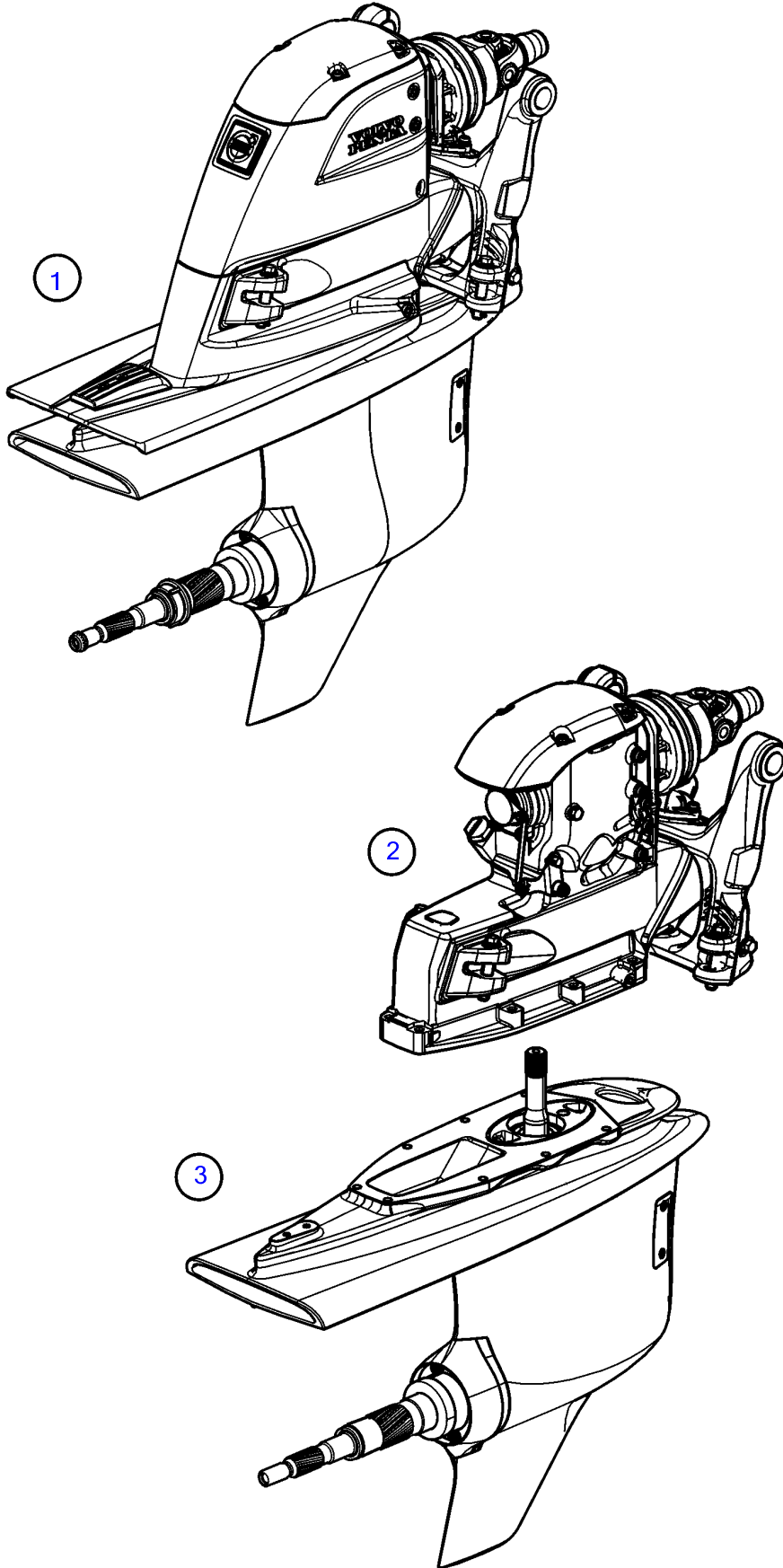


DPH-D1



DPH-D1

| REF | PART NO. | QTY | DESCRIPTION               | SEE SEC. | NOTES        |
|-----|----------|-----|---------------------------|----------|--------------|
| 1   | 22079436 | 1   | Aquamatic drive, complete |          | Ratio 1.59:1 |
|     | 22079437 | 1   | Aquamatic drive, complete |          | Ratio 1.63:1 |
|     | 22079438 | 1   | Aquamatic drive, complete |          | Ratio 1.69:1 |
|     | 22079439 | 1   | Aquamatic drive, complete |          | Ratio 1.76:1 |
|     | 22079440 | 1   | Aquamatic drive, complete |          | Ratio 1.85:1 |
|     | 22079441 | 1   | Aquamatic drive, complete |          | Ratio 1.96:1 |
|     | 22079442 | 1   | Aquamatic drive, complete |          | Ratio 2.08:1 |
| 2   | 22079926 | 1   | Upper gear, complete      |          |              |
|     |          |     | .                         | 38838    |              |
| 3   | 22079936 | 1   | Lower gear, complete      |          | Ratio 1.59:1 |
|     | 22079938 | 1   | Lower gear, complete      |          | Ratio 1.63:1 |
|     | 22079940 | 1   | Lower gear, complete      |          | Ratio 1.69:1 |
|     | 22079941 | 1   | Lower gear, complete      |          | Ratio 1.76:1 |
|     | 22079942 | 1   | Lower gear, complete      |          | Ratio 1.85:1 |
|     | 22079943 | 1   | Lower gear, complete      |          | Ratio 1.96:1 |
|     | 22079944 | 1   | Lower gear, complete      |          | Ratio 2.08:1 |