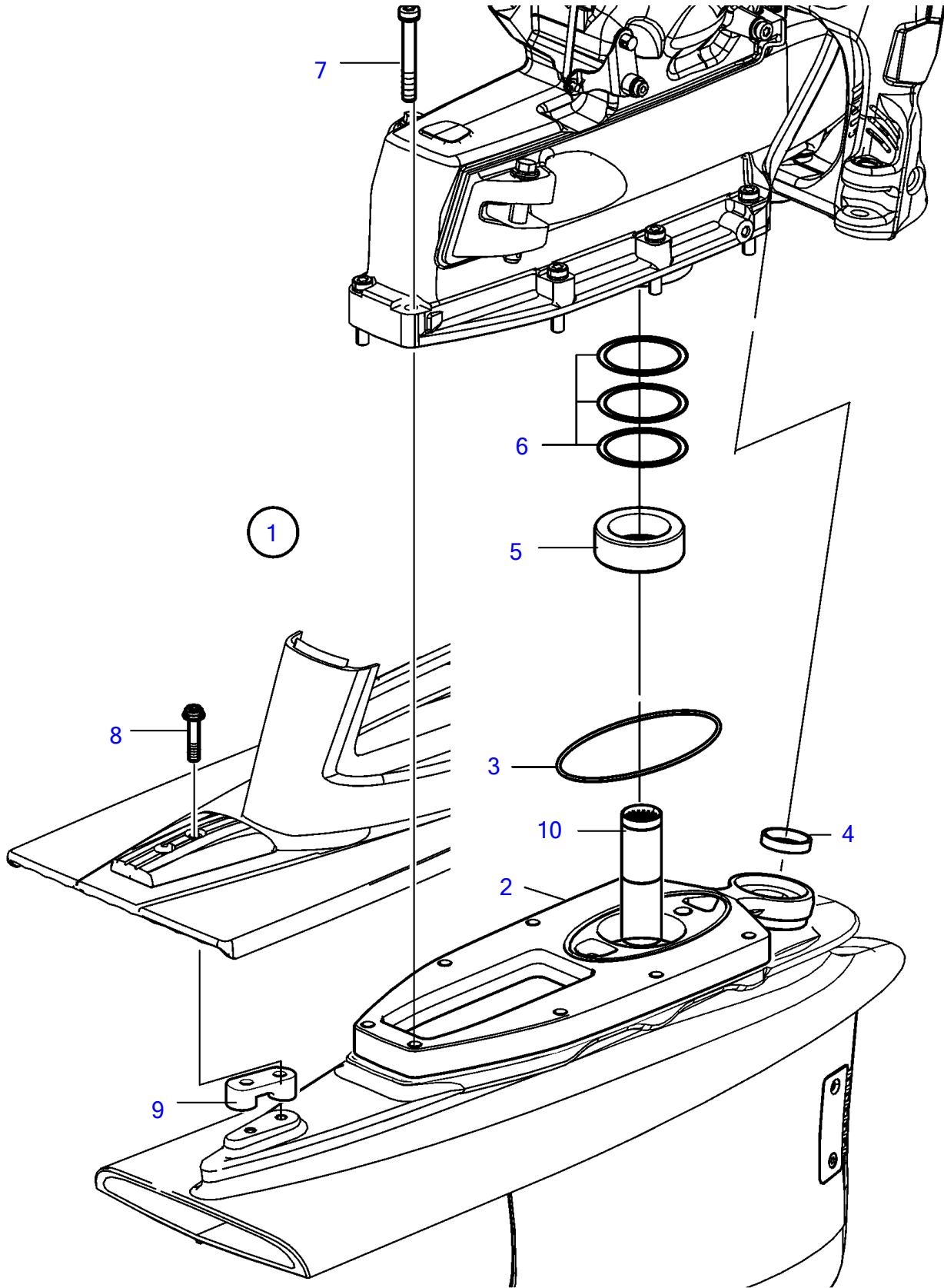


DPH-D, DPR-D, DPH-D1



DPH-D, DPR-D, DPH-D1

REF	PART NO.	QTY	DESCRIPTION	NOTES
1	22175328	1	Extension kit	
2		1	• Extension	Not sold separately
3	925096	1	• O-ring	
4	3862245	2	• Sealing ring	
5	3862320	1	• Spacer ring	
6	977910	X	• Shim	TH=0.10mm
	977911	X	• Shim	TH=0.15mm
	977912	X	• Shim	TH=0.35mm
7	984261	8	• 6 point socket screw	L=75mm
8	3588357	2	• Screw	L=65mm
9	3587976	1	• Spacer	
10	22098612	1	• Splined sleeve	