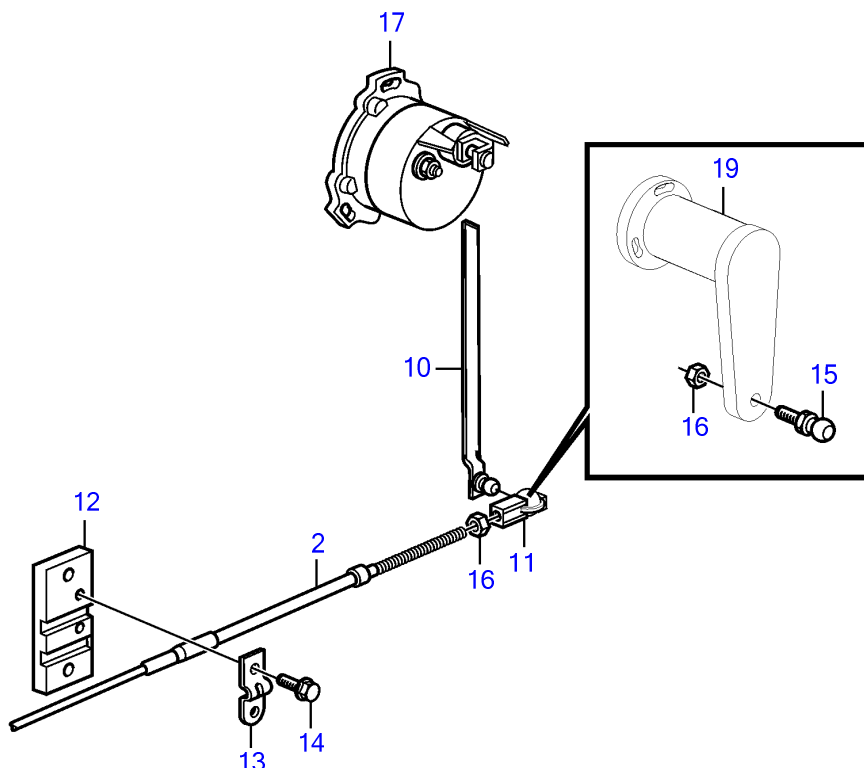
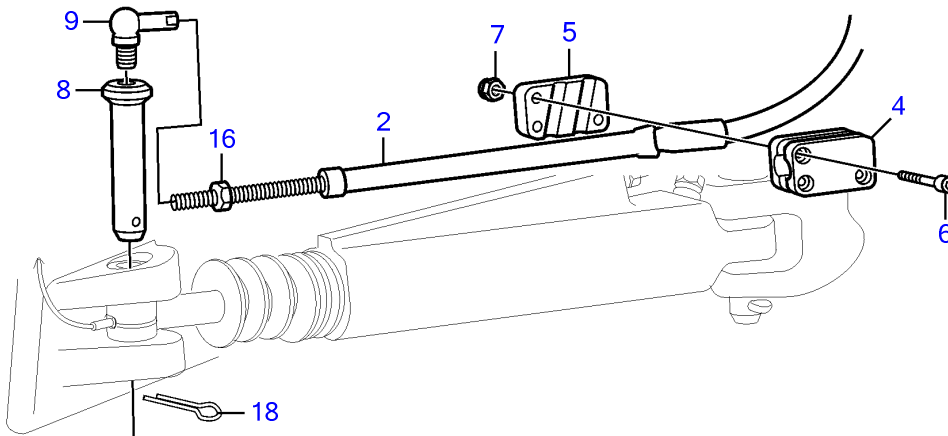
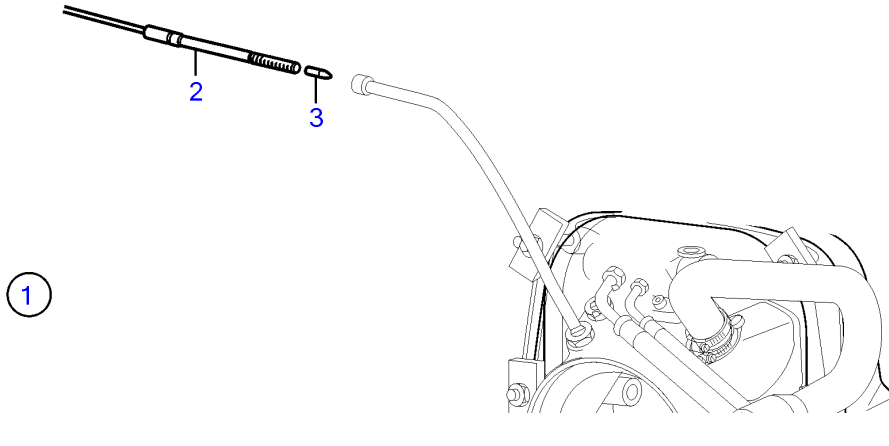


DPH-D, DPR-D



24743

DPH-D, DPR-D

REF	PART NO.	QTY	DESCRIPTION	NOTES
1	3863387	1	Kit	Replaced by 3594073
	3594073	1	Rudder indicator kit	
2	3588616	1	• Cable	Replaced by 3593951 and bracket 3594718
	3593951	1	• Control cable	
3	40005050	1	• Guide	Only used for installation of cable
4	3863425	1	• Bracket	Replaced by 3594718
	3594718	1	• Bracket	
5	3863426	1	• Clamp attachment	
6	963681	3	• Hex. socket screw	
7	984456	3	• Lock nut	
8	3863375	1	• Clevis pin	
9	3863512	1	• Ball joint	
10	3863388	1	• Arm	
11	946703	1	• Ball socket	
12	3863349	1	• Bracket	
13	3862365	1	• Retainer	
14	947107	2	• Flange screw	
15	959083	1	• Ball stud	
16	944456	3	• Hexagon nut	
17	837772	1	Position sensor	
18	967707	2	Split pin	
19		1	Arm, autopilot	