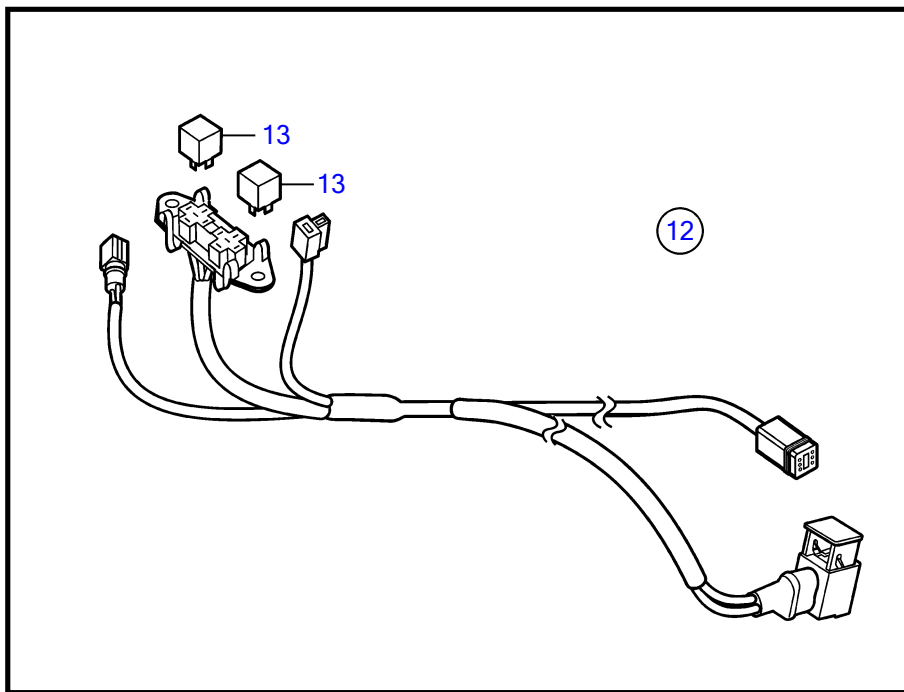
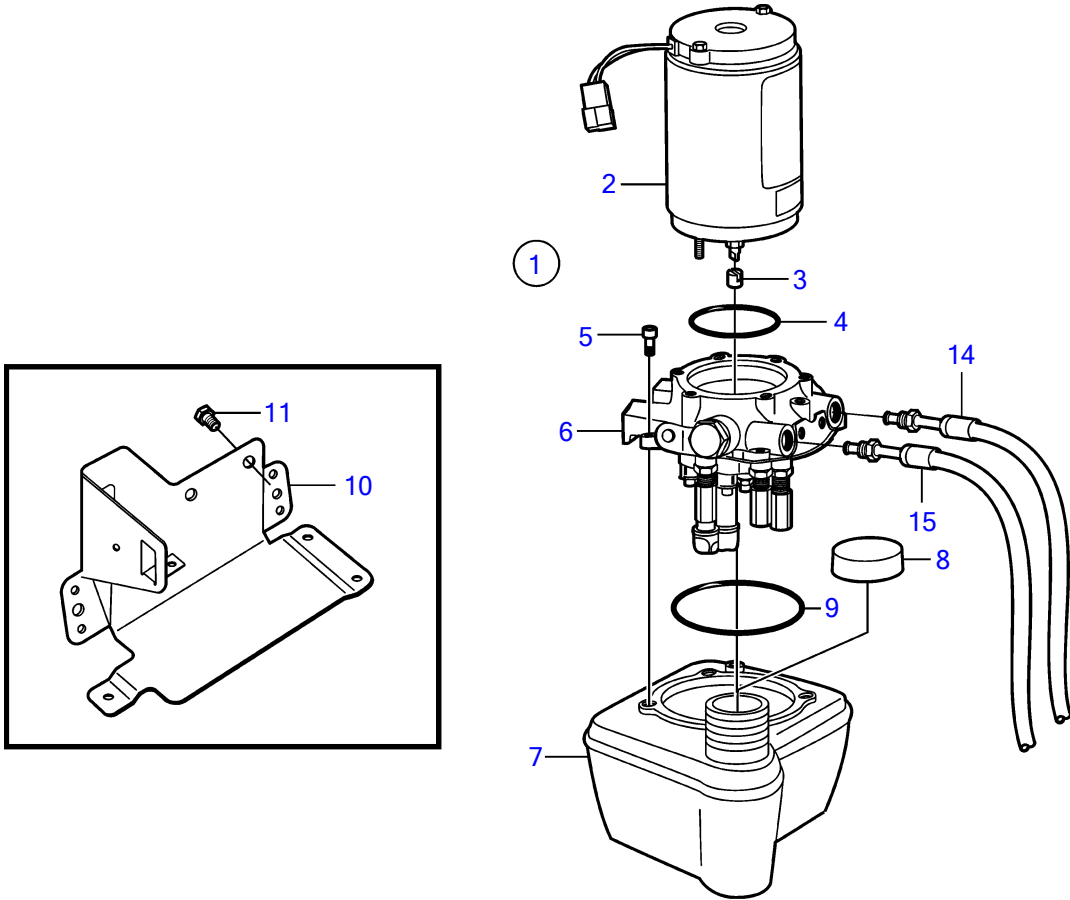


DPH-D, DPR-D, DPH-D1



DPH-D, DPR-D, DPH-D1

REF	PART NO.	QTY	DESCRIPTION	SEE SEC.	NOTES
1	21831047	1	Pump, trim		
2	3861575	1	• Electrical motor		
3	3861577	1	• Connector		
4	3861578	1	• O-ring		
5	3861574	4	• Screw		
6		1	• Valve body		Not sold separately
7	3861570	1	• Reservoir		
8	3861572	1	• Cardboard tube		
9	3861573	1	• O-ring		
10	3858083	1	• Bracket		
11	971017	2	• Hexagon screw		
12	21857958	1	• Wiring harness		
13	21767816	2	• Relay		
14	21721548	1	Hose assembly		
			• Bulletin P-44-5-17	P-44-5-17-EN	Return/Scrap of Hose assembly
15	21721550	1	Hose assembly		
			• Bulletin P-44-5-17	P-44-5-17-EN	Return/Scrap of Hose assembly