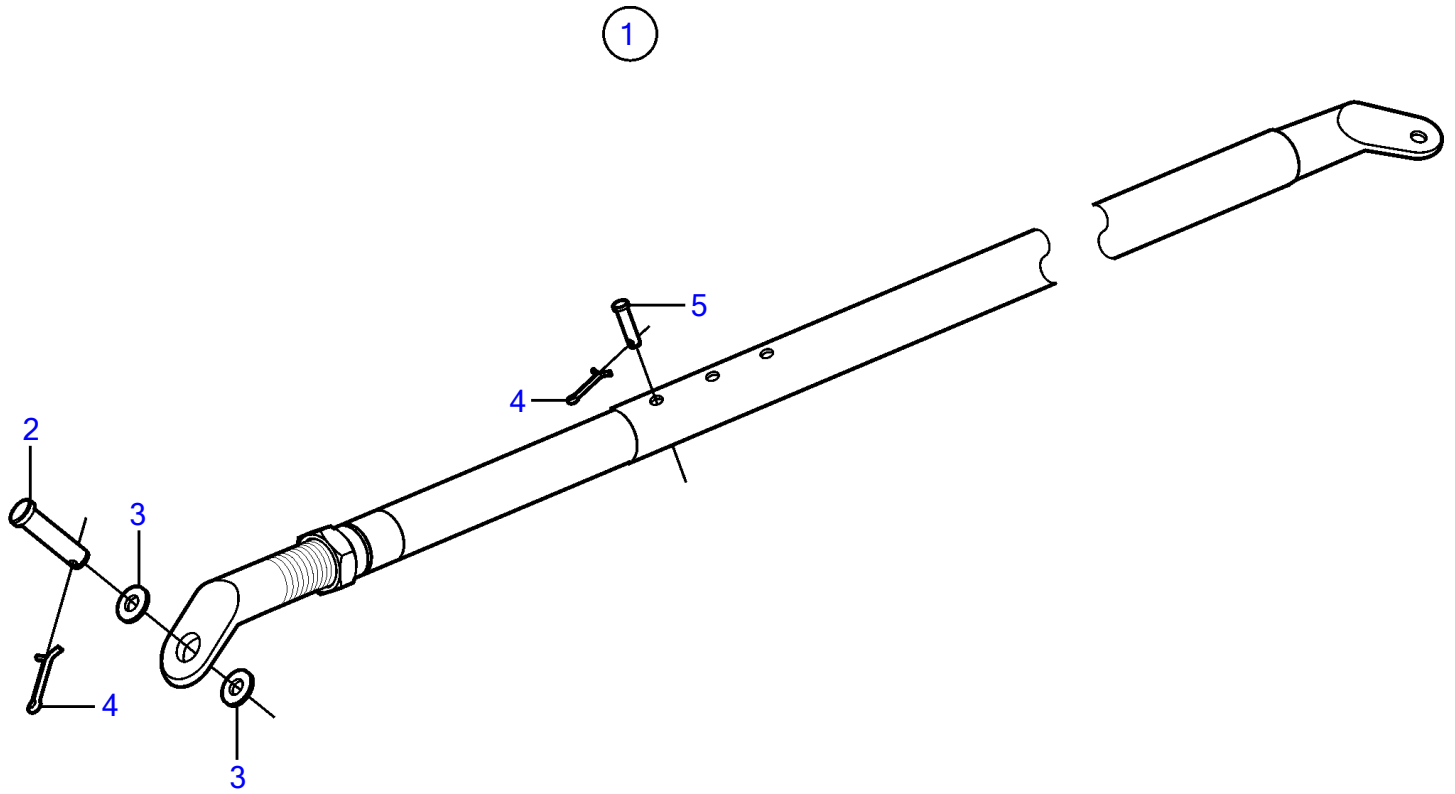


SX-S, SX-SLT



18085

SX-S, SX-SLT

REF	PART NO.	QTY	DESCRIPTION	NOTES
1	3850885	1	Link rod kit	L=26-41" (0.66-1.04M)
	3850886	1	Link rod kit	L=33-48" (0.84-1.22M)
2	3855225	2	• Clevis pin	
3	3855226	4	• Washer	
4	3852255	3	• Split pin	
5	3855224	1	• Clevis pin	