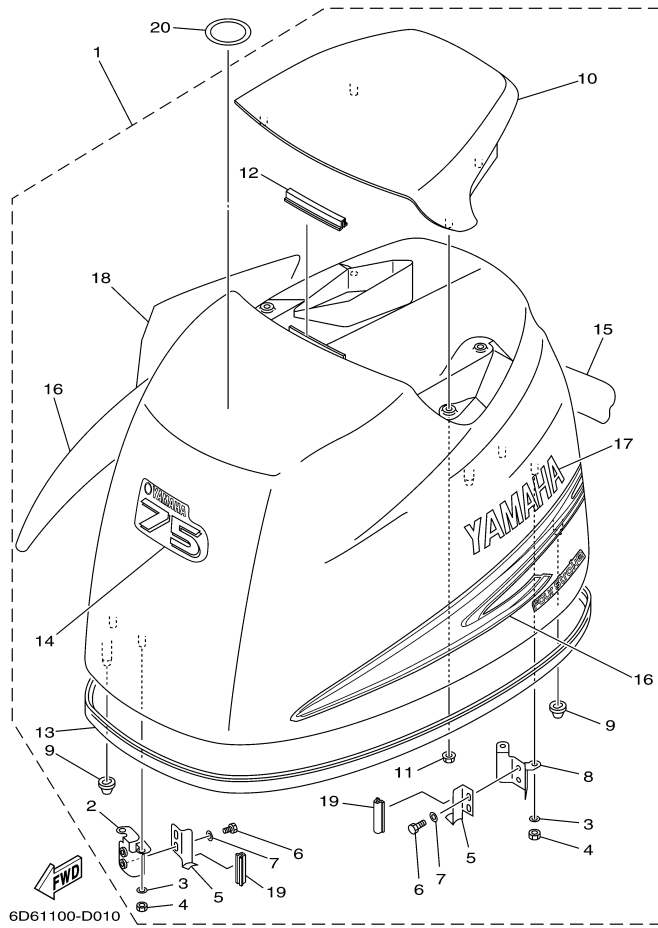


F75TLR 0407 / TOP COWLING



©2014 Yamaha Motor Corporation, U.S.A. All rights reserved.

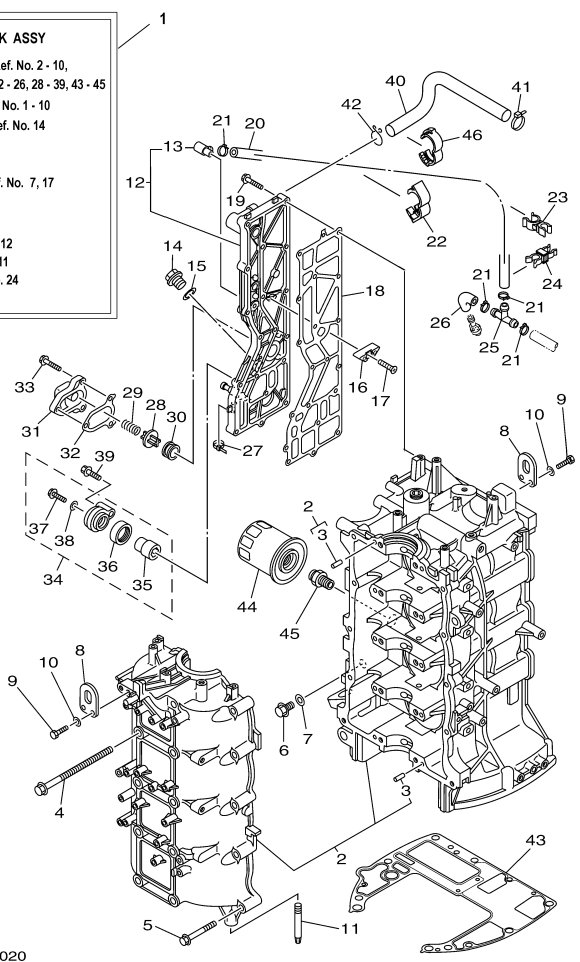
Part List

F75TLR 0407 / TOP COWLING

| REF - NO | PART NUMBER | PART NAME | QUANTITY | REMARKS |
|----------------|-----------------|---------------------|----------|---------|
| 1 | 6D6-42610-00-8D | TOP COWLING ASSY | 1 | UR F75 |
| 2 | 67F-42647-00-00 | .HOLDER, CLAMP BAND | 1 | |
| 3 | 92990-06100-00 | .WASHER, SPRING | 4 | |
| 4 | 95380-06600-00 | .NUT, HEXAGON | 4 | |
| 5 | 68V-42652-00-00 | .HOOK | 2 | |
| 6 | 97095-06012-00 | .BOLT | 4 | |
| 7 | 92995-06600-00 | .WASHER | 4 | |
| 8 | 67F-42649-00-00 | .HOLDER, CLAMP BAND | 1 | |
| 9 | 67F-42662-00-00 | .DAMPER | 3 | |
| 10 | 67F-42613-00-8D | .MOLDING, AIR DUCT | 1 | |
| 11 | 90179-06M24-00 | .NUT | 4 | |
| 12 | 61N-42628-00-00 | .SEAL | 1 | |
| 13 | 67F-42615-00-00 | .SEAL | 1 | |
| 14 | 62P-42677-00-00 | .GRAPHIC, FRONT | 1 | UR F75 |
| 15 | 6D6-42678-00-00 | .GRAPHIC, REAR | 1 | UR F75 |
| 16 | 67F-W0070-10-00 | .GRAPHIC SET | 1 | |
| 17 | 67F-42681-10-00 | .MARK, COWLING | 1 | |
| 18 | 67F-42682-10-00 | .MARK, COWLING | 1 | |
| 19 | 67F-42628-00-00 | .SEAL | 2 | |
| 20 | 67F-13434-03-00 | LABEL, CAUTION | 1 | |

F75TLR 0407 / CYLINDER CRANKCASE 1

- CYLINDER BLOCK ASSY**
- CYLINDER CRANKCASE 1, Ref. No. 2 - 10,
12 - 26, 28 - 39, 43 - 45
 - CRANKSHAFT PISTON, Ref. No. 1 - 10
 - CYLINDER CRANKCASE 2, Ref. No. 14
 - VALVE, Ref. No. 23 - 25
 - INTAKE 2, Ref. No. 21 - 25
 - FUEL INJECTION PUMP, Ref. No. 7, 17
 - GENERATOR, Ref. No. 8
 - ELECTRICAL 1, Ref. No. 14
 - ELECTRICAL 3, Ref. No. 10 - 12
 - ELECTRICAL 4, Ref. No. 4 - 11
 - BOTTOM COWLING, Ref. No. 24
 - OIL PAN, Ref. No. 30



6D64100-G020




Part List

F75TLR 0407 / CYLINDER CRANKCASE 1

| REF - NO | PART NUMBER | PART NAME | QUANTITY | REMARKS |
|----------|-----------------|------------------------------|----------|---------|
| 1 | 6D8-W009B-03-1S | CYLINDER BLOCK ASSY | 1 | |
| 2 | 6D8-15100-01-1S | CRANKCASE ASSY | 1 | |
| 3 | 93606-12019-00 | .PIN, DOWEL | 10 | |
| 4 | 90119-10M88-00 | BOLT, WITH WASHER | 10 | |
| 5 | 90119-08M66-00 | BOLT, WITH WASHER | 10 | |
| 6 | 90340-14M06-00 | PLUG, STRAIGHT SCREW | 1 | |
| 7 | 90430-14115-00 | .GASKET | 1 | |
| 8 | 62Y-11119-00-00 | HANGER, ENGINE | 2 | |
| 9 | 97095-06020-00 | BOLT | 4 | |
| 10 | 92995-06600-00 | WASHER | 4 | |
| 11 | 67F-15142-00-00 | GUIDE 1 | 2 | |
| 12 | 6D8-41113-10-1S | OUTER COVER, EXHAUST | 1 | |
| 13 | 676-11372-00-00 | .NIPPLE, HOSE | 1 | |
| 14 | 90340-18M09-00 | PLUG, STRAIGHT SCREW | 1 | |
| 15 | 90430-18130-00 | .GASKET | 1 | |
| 16 | 6E5-11325-00-00 | ANODE | 3 | |
| 17 | 98780-04016-00 | SCREW, FLAT HEAD | 3 | |
| 18 | 67F-41114-A2-00 | .GASKET, EXHAUST OUTER COVER | 1 | |
| 19 | 90119-06MA4-00 | BOLT, WITH WASHER | 18 | |
| 20 | 6D8-42541-00-00 | PIPE 1 | 1 | |
| 21 | 90465-11M10-00 | CLAMP | 4 | |
| 22 | 90464-18004-00 | CLAMP | 1 | |
| 23 | 90464-10010-00 | CLAMP | 1 | |
| 24 | 90464-11009-00 | CLAMP | 1 | |
| 25 | 688-24378-00-00 | PIPE, JOINT 3 | 1 | |
| 26 | 61A-24316-00-00 | PIPE 6 | 1 | |
| 27 | 90465-11M10-00 | CLAMP | 1 | |
| 28 | 6G5-12416-00-00 | VALVE, PRESSURE CONTROL | 1 | |
| 29 | 90501-16M11-00 | SPRING, COMPRESSION | 1 | |
| 30 | 90480-20M05-00 | GROMMET | 1 | |
| 31 | 67F-1246A-01-1S | COVER 1 | 1 | |
| 32 | 67F-12435-A0-00 | .GASKET | 1 | |
| 33 | 90119-06MA2-00 | BOLT, WITH WASHER | 3 | |
| 34 | 69J-11301-10-00 | ANODE COVER ASSY | 1 | |
| 35 | 68V-11325-02-00 | .ANODE | 1 | |
| 36 | 67F-11328-00-00 | .GROMMET, ANODE | 1 | |
| 37 | 90105-06M07-00 | .BOLT, FLANGE | 1 | |
| 38 | 90430-06M03-00 | .GASKET | 1 | |
| 39 | 97575-08540-00 | BOLT, WITH WASHER | 1 | |
| 40 | 67F-1243A-00-00 | HOSE 1 | 1 | |
| 41 | 90465-11M10-00 | CLAMP | 1 | |
| 42 | 90467-20M15-00 | CLIP | 1 | |
| 43 | 68V-11351-00-00 | .GASKET, CYLINDER | 1 | |
| 44 | 5GH-13440-00-00 | ELEMENT ASSY, OIL CLEANER | 1 | |
| 45 | 90401-20145-00 | BOLT, UNION | 1 | |
| 46 | 90464-16001-00 | CLAMP | 1 | |

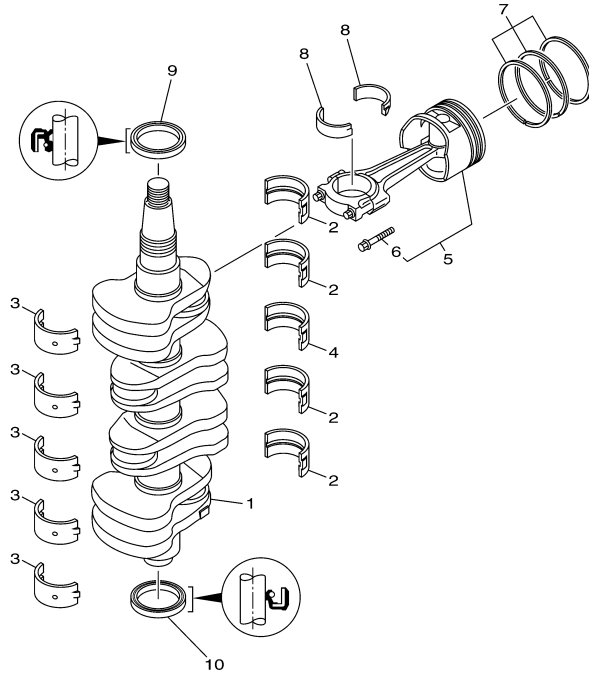
Part Notes

F75TLR 0407 / CYLINDER CRANKCASE 1

| PART NUMBER | NOTE TEXT |
|---|--|
| 90480-20M05-00  | OEM: This part number is among the Top 100 Most Popular Marine Maintenance Parts as of March 2014. |
| 68V-11325-02-00  | OEM: This part number is among the Top 100 Most Popular Marine Maintenance Parts as of March 2014. |
| 67F-11328-00-00  | OEM: This part number is among the Top 100 Most Popular Marine Maintenance Parts as of March 2014. |

©2014 Yamaha Motor Corporation, U.S.A. All rights reserved.

F75TLR 0407 / CRANKSHAFT PISTON



6D81100-D030

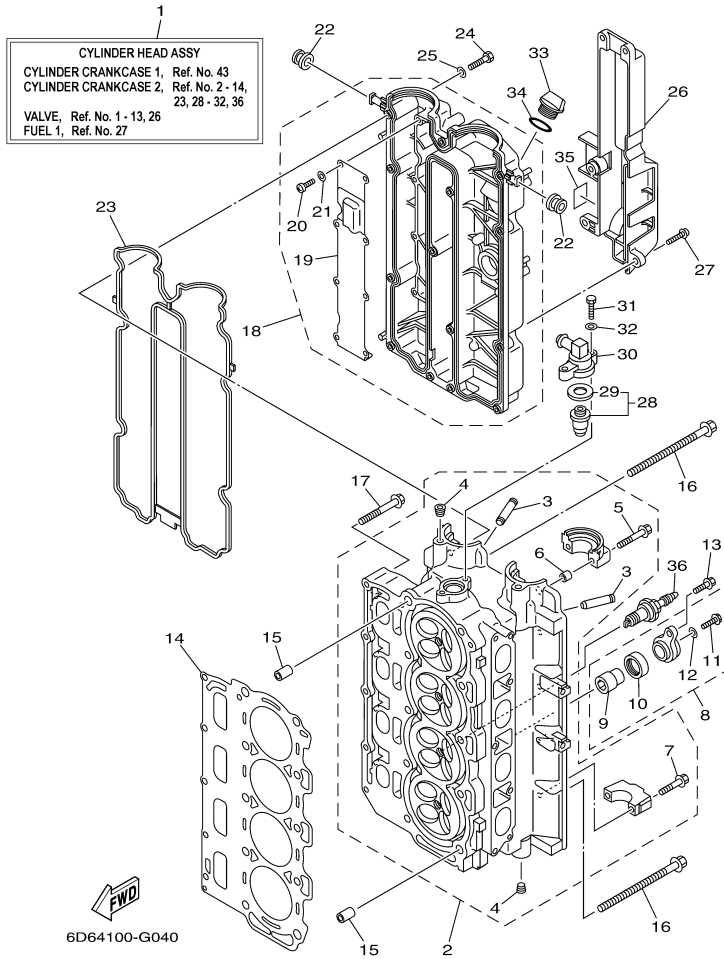
©2014 Yamaha Motor Corporation, U.S.A. All rights reserved.

Part List

F75TLR 0407 / CRANKSHAFT PISTON

| REF - NO | PART NUMBER | PART NAME | QUANTITY | REMARKS |
|----------------|-----------------|------------------------------------|----------|-----------|
| 1 | 6D8-11411-00-00 | CRANKSHAFT | 1 | |
| 2 | 67F-11416-00-00 | PLANE BEARING, CRANKSHAFT 1 | 4 | UR GREEN |
| 2 | 67F-11416-20-00 | PLANE BEARING, CRANKSHAFT 1 | 4 | UR RED |
| 2 | 67F-11416-10-00 | PLANE BEARING, CRANKSHAFT 1 | 4 | UR BLUE |
| 3 | 67F-11417-00-00 | PLANE BEARING, CRANKSHAFT 2 | 5 | UR YELLOW |
| 3 | 67F-11417-30-00 | PLANE BEARING, CRANKSHAFT 2 | 5 | UR RED |
| 3 | 67F-11417-20-00 | PLANE BEARING, CRANKSHAFT 2 | 5 | UR BLUE |
| 3 | 67F-11417-10-00 | PLANE BEARING, CRANKSHAFT 2 | 5 | UR GREEN |
| 4 | 67F-11418-00-00 | PLANE BEARING, CRANKSHAFT 3 | 1 | UR GREEN |
| 4 | 67F-11418-20-00 | PLANE BEARING, CRANKSHAFT 3 | 1 | UR RED |
| 4 | 67F-11418-10-00 | PLANE BEARING, CRANKSHAFT 3 | 1 | UR BLUE |
| 5 | 6D8-W1164-10-00 | PISTON/CON-ROD ASSY (0.25MM OS) | 4 | AP |
| 5 | 6D8-W1164-00-00 | PISTON/CON-ROD ASSY (STD) | 4 | |
| 6 | 67F-11654-00-00 | .BOLT, CONNECTING ROD | 2 | |
| 7 | 6D8-11604-01-00 | PISTON RING SET (0.25MM O/S) | 4 | AP |
| 7 | 6D8-11603-01-00 | PISTON RING SET (STD) | 4 | |
| 8 | 6D8-11656-00-00 | PLANE BEARING, CONNECTING ROD | 8 | UR YELLOW |
| 8 | 6D8-11656-30-00 | PLANE BEARING, CONNECTING ROD | 8 | UR RED |
| 8 | 6D8-11656-20-00 | PLANE BEARING, CONNECTING ROD | 8 | UR BLUE |
| 8 | 6D8-11656-10-00 | PLANE BEARING, CONNECTING ROD | 8 | UR GREEN |
| 9 | 93102-48008-00 | .OIL SEAL | 1 | |
| 10 | 93101-48001-00 | .OIL SEAL | 1 | |

F75TLR 0407 / CYLINDER CRANKCASE 2



©2014 Yamaha Motor Corporation, U.S.A. All rights reserved.





Part List

F75TLR 0407 / CYLINDER CRANKCASE 2

| REF - NO | PART NUMBER | PART NAME | QUANTITY | REMARKS |
|----------|-----------------|----------------------------|----------|---------|
| 1 | 6D8-W009A-02-1S | CYLINDER HEAD COMPLETE | 1 | |
| 2 | 6D8-11110-01-94 | CYLINDER HEAD ASSY | 1 | |
| 3 | 67F-11133-10-00 | .GUIDE, VALVE 1 | 16 | |
| 4 | 90344-51019-00 | .PLUG, TAPER SCREW | 4 | |
| 5 | 90119-07235-00 | .BOLT/WASHER-CAM CAPS | 4 | |
| 6 | 91809-08006-00 | .PIN, DOWEL | 4 | |
| 7 | K0F-A9904-20-00 | .BOLT, WITH WASHER | 16 | |
| 8 | 69J-11301-10-00 | ANODE COVER ASSY | 2 | |
| 9 | 68V-11325-02-00 | .ANODE | 1 | |
| 10 | 67F-11328-00-00 | .GROMMET, ANODE | 1 | |
| 11 | 90105-06M07-00 | .BOLT, FLANGE | 1 | |
| 12 | 90430-06M03-00 | .GASKET | 1 | |
| 13 | 97575-08540-00 | BOLT, WITH WASHER | 2 | |
| 14 | 67F-11181-03-00 | .GASKET, CYLINDER HEAD 1 | 1 | |
| 15 | 90387-10M08-00 | COLLAR | 2 | |
| 16 | 90105-10M89-00 | BOLT, FLANGE | 10 | |
| 17 | 90119-08M91-00 | BOLT, WITH WASHER | 5 | |
| 18 | 6D8-11191-00-1S | COVER, CYLINDER HEAD 1 | 1 | |
| 19 | 67F-11168-00-00 | .COVER, BREATHER | 1 | |
| 20 | 98507-04008-00 | .SCREW, PAN HEAD | 8 | |
| 21 | 92907-04600-00 | .WASHER | 8 | |
| 22 | 90480-12072-00 | GROMMET | 2 | |
| 23 | 6D8-11356-01-00 | .SEAL, CYLINDER 2 | 1 | |
| 24 | 97095-06030-00 | BOLT | 14 | |
| 25 | 92995-06600-00 | WASHER | 14 | |
| 26 | 67F-11192-01-00 | COVER, CYLINDER HEAD 2 | 1 | |
| 27 | 90159-06M29-00 | SCREW, WITH WASHER | 5 | |
| 28 | 67F-12411-01-00 | THERMOSTAT | 1 | |
| 29 | 67F-12412-00-00 | .SEAL, THERMOSTAT | 1 | |
| 30 | 68V-12413-00-1S | COVER, THERMOSTAT | 1 | |
| 31 | 97095-06025-00 | BOLT | 2 | |
| 32 | 92995-06600-00 | WASHER | 2 | |
| 33 | 6G8-15363-00-00 | PLUG, OIL | 1 | |
| 34 | 93210-24M79-00 | .O-RING | 1 | |
| 35 | 6D8-83626-00-00 | MARK 6 | 1 | |
| 36 | NGK-LFR5A-11-00 | PLUG, SPARK (NGK LFR5A-11) | 4 | |

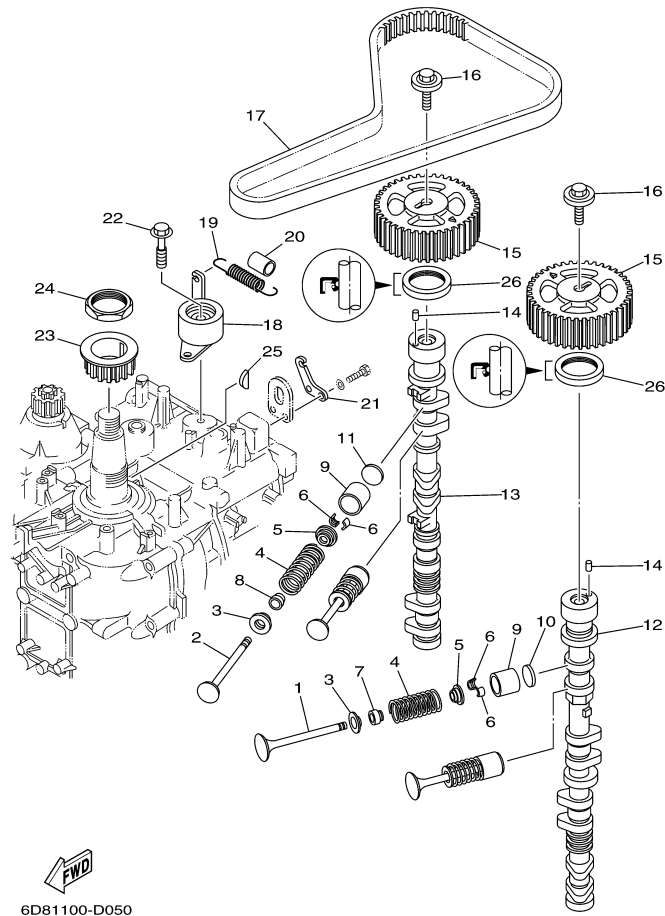
Part Notes

F75TLR 0407 / CYLINDER CRANKCASE 2

| PART NUMBER | NOTE TEXT |
|---|--|
| 68V-11325-02-00  | OEM: This part number is among the Top 100 Most Popular Marine Maintenance Parts as of March 2014. |
| 67F-11328-00-00  | OEM: This part number is among the Top 100 Most Popular Marine Maintenance Parts as of March 2014. |
| 90480-12072-00  | OEM: GROMMET used on F115TLR and F/LF115TXR 0410 Production and Earlier |
| 67F-12411-01-00  | OEM: This part number is among the Top 100 Most Popular Marine Maintenance Parts as of March 2014. |

©2014 Yamaha Motor Corporation, U.S.A. All rights reserved.

F75TLR 0407 / VALVE



FWD
6D81100-D050

©2014 Yamaha Motor Corporation, U.S.A. All rights reserved.

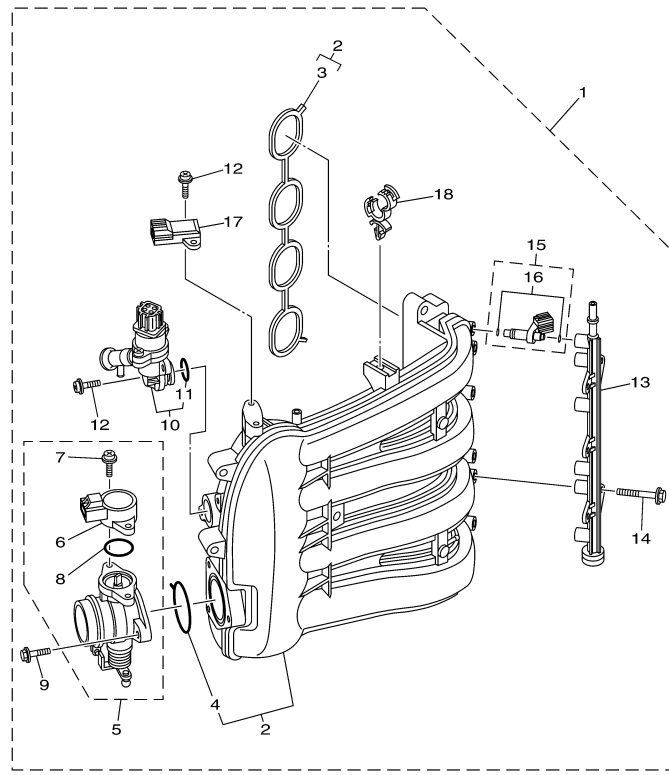
Part List

F75TLR 0407 / VALVE

| REF - NO | PART NUMBER | PART NAME | QUANTITY | REMARKS |
|----------------|-----------------|------------------------|----------|---------|
| 1 | 68V-12111-00-00 | VALVE, INTAKE | 8 | |
| 2 | 68V-12121-00-00 | VALVE, EXHAUST | 8 | |
| 3 | 67F-12116-00-00 | SEAT, VALVE SPRING | 16 | |
| 4 | 67F-12114-00-00 | SPRING, VALVE OUTER | 16 | |
| 5 | 67F-12117-00-00 | RETAINER, VALVE SPRING | 16 | |
| 6 | 67F-12118-00-00 | COTTER, VALVE | 32 | |
| 7 | K0A-A3721-00-00 | SEAL, VALVE STEM | 8 | |
| 8 | K0A-A3722-00-00 | SEAL, VALVE STEM 2 | 8 | |
| 9 | 67F-12153-00-00 | LIFTER, VALVE | 16 | |
| 10 | 67F-12168-00-00 | PAD, ADJUSTING (2.000) | 16 | UR |
| 10 | 67F-12168-Y0-00 | PAD, ADJUSTING (2.750) | 16 | UR |
| 10 | 67F-12168-20-00 | PAD, ADJUSTING (2.050) | 16 | UR |
| 10 | 67F-12168-30-00 | PAD, ADJUSTING (2.075) | 16 | UR |
| 10 | 67F-12168-40-00 | PAD, ADJUSTING (2.100) | 16 | UR |
| 10 | 67F-12168-50-00 | PAD, ADJUSTING (2.125) | 16 | UR |
| 10 | 67F-12168-60-00 | PAD, ADJUSTING (2.150) | 16 | UR |
| 10 | 67F-12168-70-00 | PAD, ADJUSTING (2.175) | 16 | UR |
| 10 | 67F-12168-80-00 | PAD, ADJUSTING (2.200) | 16 | UR |
| 10 | 67F-12168-A0-00 | PAD, ADJUSTING (2.225) | 16 | UR |
| 10 | 67F-12168-B0-00 | PAD, ADJUSTING (2.250) | 16 | UR |
| 10 | 67F-12168-C0-00 | PAD, ADJUSTING (2.275) | 16 | UR |
| 10 | 67F-12168-D0-00 | PAD, ADJUSTING (2.300) | 16 | UR |
| 10 | 67F-12168-E0-00 | PAD, ADJUSTING (2.325) | 16 | UR |
| 10 | 67F-12168-F0-00 | PAD, ADJUSTING (2.350) | 16 | UR |
| 10 | 67F-12168-G0-00 | PAD, ADJUSTING (2.375) | 16 | UR |
| 10 | 67F-12168-H0-00 | PAD, ADJUSTING (2.400) | 16 | UR |
| 10 | 67F-12168-J0-00 | PAD, ADJUSTING (2.425) | 16 | UR |
| 10 | 67F-12168-K0-00 | PAD, ADJUSTING (2.450) | 16 | UR |
| 10 | 67F-12168-L0-00 | PAD, ADJUSTING (2.475) | 16 | UR |
| 10 | 67F-12168-M0-00 | PAD, ADJUSTING (2.500) | 16 | UR |
| 10 | 67F-12168-N0-00 | PAD,ADJUSTING (2.525) | 16 | UR |
| 10 | 67F-12168-P0-00 | PAD, ADJUSTING (2.550) | 16 | UR |
| 10 | 67F-12168-R0-00 | PAD, ADJUSTING (2.575) | 16 | UR |
| 10 | 67F-12168-S0-00 | PAD, ADJUSTING (2.600) | 16 | UR |
| 10 | 67F-12168-T0-00 | PAD, ADJUSTING (2.625) | 16 | UR |
| 10 | 67F-12168-U0-00 | PAD, ADJUSTING (2.650) | 16 | UR |
| 10 | 67F-12168-V0-00 | PAD, ADJUSTING (2.675) | 16 | UR |
| 10 | 67F-12168-W0-00 | PAD, ADJUSTING (2.700) | 16 | UR |
| 10 | 67F-12168-X0-00 | PAD, ADJUSTING (2.725) | 16 | UR |
| 10 | 67F-12168-10-00 | PAD, ADJUSTING (2.025) | 16 | UR |
| 11 | 67F-12169-00-00 | PAD, ADJUSTING (2.775) | 16 | UR |
| 11 | 67F-12169-N0-00 | PAD, ADJUSTING (3.300) | 16 | UR |
| 11 | 67F-12169-20-00 | PAD, ADJUSTING (2.825) | 16 | UR |
| 11 | 67F-12169-30-00 | PAD, ADJUSTING (2.850) | 16 | UR |
| 11 | 67F-12169-40-00 | PAD, ADJUSTING (2.875) | 16 | UR |
| 11 | 67F-12169-50-00 | PAD, ADJUSTING (2.900) | 16 | UR |
| 11 | 67F-12169-60-00 | PAD, ADJUSTING (2.925) | 16 | UR |
| 11 | 67F-12169-70-00 | PAD, ADJUSTING (2.950) | 16 | UR |
| 11 | 67F-12169-80-00 | PAD, ADJUSTING (2.975) | 16 | UR |
| 11 | 67F-12169-A0-00 | PAD, ADJUSTING (3.000) | 16 | UR |
| 11 | 67F-12169-B0-00 | PAD, ADJUSTING (3.025) | 16 | UR |
| 11 | 67F-12169-C0-00 | PAD, ADJUSTING (3.050) | 16 | UR |
| 11 | 67F-12169-D0-00 | PAD, ADJUSTING (3.075) | 16 | UR |
| 11 | 67F-12169-E0-00 | PAD, ADJUSTING (3.100) | 16 | UR |
| 11 | 67F-12169-F0-00 | PAD, ADJUSTING (3.125) | 16 | UR |
| 11 | 67F-12169-G0-00 | PAD, ADJUSTING (3.150) | 16 | UR |
| 11 | 67F-12169-H0-00 | PAD, ADJUSTING (3.175) | 16 | UR |
| 11 | 67F-12169-J0-00 | PAD, ADJUSTING (3.200) | 16 | UR |
| 11 | 67F-12169-K0-00 | PAD, ADJUSTING (3.225) | 16 | UR |
| 11 | 67F-12169-L0-00 | PAD, ADJUSTING (3.250) | 16 | UR |
| 11 | 67F-12169-M0-00 | PAD, ADJUSTING (3.275) | 16 | UR |

| | | | | |
|----|-----------------|------------------------|----|----|
| 11 | 67F-12169-10-00 | PAD, ADJUSTING (2.800) | 16 | UR |
| 12 | 6D8-12171-00-00 | CAMSHAFT 1 | 1 | |
| 13 | 67F-12181-00-00 | CAMSHAFT 2 | 1 | |
| 14 | 93605-10108-00 | .PIN, DOWEL | 2 | |
| 15 | 67F-11537-00-00 | GEAR, DRIVEN | 2 | |
| 16 | 90119-10M06-00 | BOLT, WITH WASHER | 2 | |
| 17 | 67F-46241-00-00 | BELT | 1 | |
| 18 | 67F-11590-00-00 | TENSIONER ASSY | 1 | |
| 19 | 90506-16M39-00 | SPRING, TENSION | 1 | |
| 20 | 90445-15M03-00 | HOSE (L23) | 1 | |
| 21 | 67F-11595-00-00 | PLATE, VALVE | 1 | |
| 22 | 90119-10M72-00 | BOLT, WITH WASHER | 1 | |
| 23 | 6D8-11536-00-00 | GEAR, DRIVE | 1 | |
| 24 | 90170-40008-00 | NUT | 1 | |
| 25 | 90280-04008-00 | KEY, WOODRUFF | 1 | |
| 26 | 93102-38M59-00 | .OIL SEAL | 2 | |

F75TLR 0407 / INTAKE 1




6D81100-D060

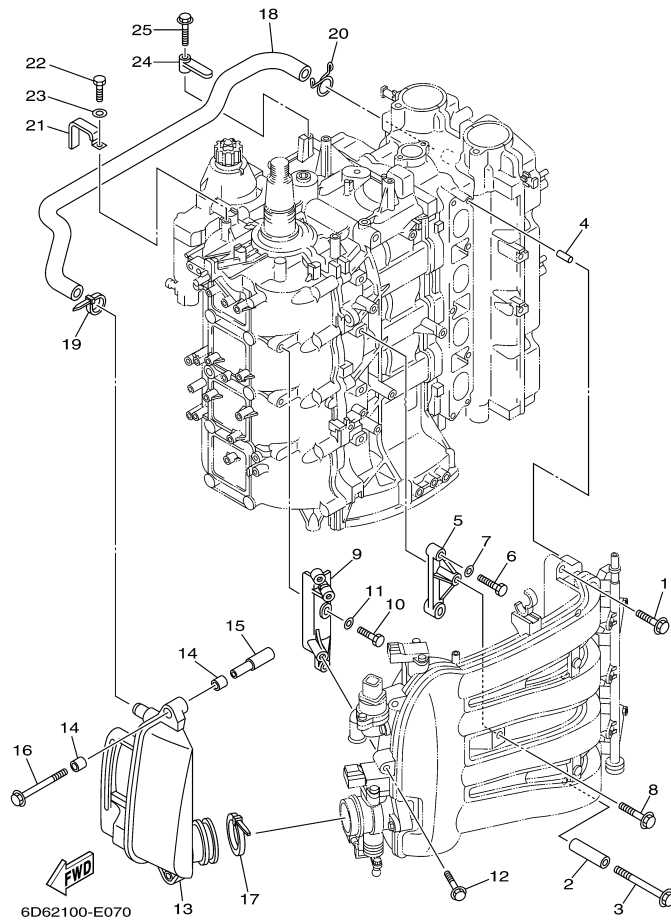
©2014 Yamaha Motor Corporation, U.S.A. All rights reserved.

Part List

F75TLR 0407 / INTAKE 1

| REF - NO | PART NUMBER | PART NAME | QUANTITY | REMARKS |
|----------------|-----------------|------------------------|----------|---------|
| 1 | 6D8-14200-00-00 | INTAKE ASSY | 1 | |
| 2 | 6D8-13641-00-00 | .MANIFOLD, INTAKE 1 | 1 | |
| 3 | 6D8-13645-00-00 | ..GASKET, MANIFOLD 1 | 1 | |
| 4 | 6D8-13557-00-00 | ..GASKET | 1 | |
| 5 | 6D8-13750-00-00 | .THROTTLE BODY ASSY | 1 | |
| 6 | 6C5-85885-00-00 | ..THROTTLE SENSOR ASSY | 1 | |
| 7 | 6C5-81145-00-00 | ..SCREW 1 | 2 | |
| 8 | 6C5-8182L-00-00 | ..O-RING 1 | 1 | |
| 9 | 6C5-14496-00-00 | .BOLT | 3 | |
| 10 | 6D8-13105-01-00 | .CONTROL VALVE ASSY | 1 | |
| 11 | 6C5-1319C-00-00 | ..O-RING | 1 | |
| 12 | 6C5-81146-00-00 | .SCREW 2 | 4 | |
| 13 | 6D8-13161-00-00 | .PIPE, DELIVERY 1 | 1 | |
| 14 | 6C5-14446-00-00 | .BOLT | 2 | |
| 15 | 6D8-13761-00-00 | .INJECTOR | 4 | |
| 16 | 6C5-1410B-00-00 | ..PACKING KIT | 1 | |
| 17 | 68F-83688-00-00 | .SENSOR ASSY | 1 | |
| 18 | 90464-18246-00 | .CLAMP | 1 | |

F75TLR 0407 / INTAKE 2



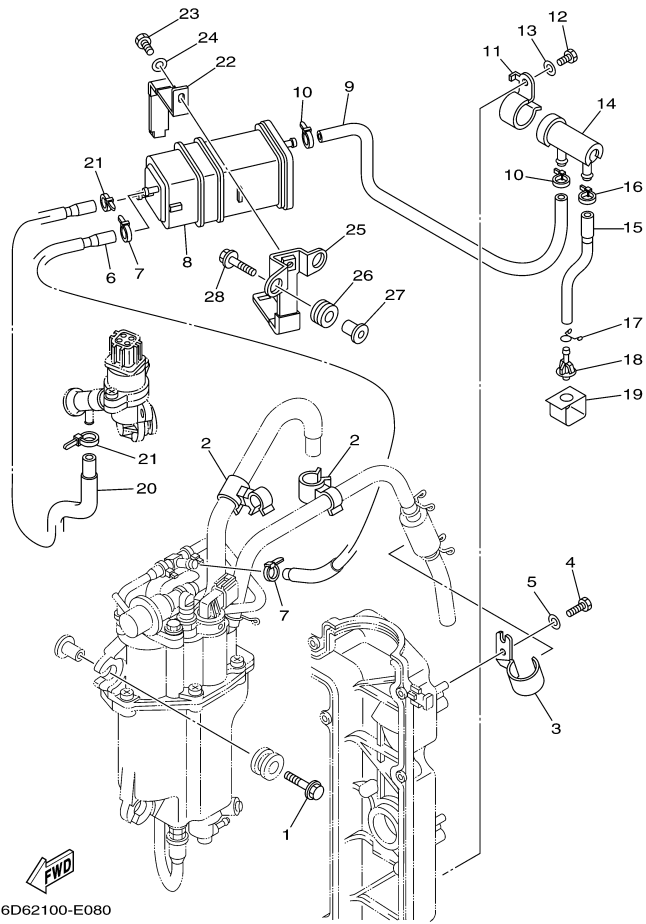
©2014 Yamaha Motor Corporation, U.S.A. All rights reserved.

Part List

F75TLR 0407 / INTAKE 2

| REF - NO | PART NUMBER | PART NAME | QUANTITY | REMARKS |
|----------------|-----------------|-----------------------|----------|---------|
| 1 | 90119-08069-00 | BOLT, WITH WASHER | 4 | |
| 2 | 90387-08033-00 | COLLAR | 1 | |
| 3 | 90119-08M03-00 | BOLT, WITH WASHER | 1 | |
| 4 | 91690-50014-00 | PIN, SPRING | 2 | |
| 5 | 6D8-14291-00-94 | BRACKET 1 | 1 | |
| 6 | 97095-06030-00 | BOLT | 2 | |
| 7 | 92995-06600-00 | WASHER | 2 | |
| 8 | 90119-06087-00 | BOLT, WITH WASHER | 1 | |
| 9 | 6D8-14292-00-94 | BRACKET 2 | 1 | |
| 10 | 97095-06020-00 | BOLT | 2 | |
| 11 | 92995-06600-00 | WASHER | 2 | |
| 12 | 90119-06087-00 | BOLT, WITH WASHER | 2 | |
| 13 | 6D6-14440-00-00 | SILENCER ASSY, INTAKE | 1 | UR F75 |
| 14 | 90386-08001-00 | BUSH | 4 | |
| 15 | 90387-07013-00 | COLLAR | 2 | |
| 16 | 90119-06113-00 | BOLT, WITH WASHER | 2 | |
| 17 | 90464-76001-00 | CLAMP | 1 | |
| 18 | 6D8-15373-00-00 | PIPE, BREATHER | 1 | |
| 19 | 90465-11M59-00 | CLAMP | 1 | |
| 20 | 90467-20M15-00 | CLIP | 1 | |
| 21 | 90465-12M03-00 | CLAMP | 1 | |
| 22 | 97095-06012-00 | BOLT | 1 | |
| 23 | 92995-06600-00 | WASHER | 1 | |
| 24 | 6D8-82544-00-00 | CLAMP | 1 | |
| 25 | 95895-06025-00 | BOLT, FLANGE | 1 | |

F75TLR 0407 / INTAKE 3



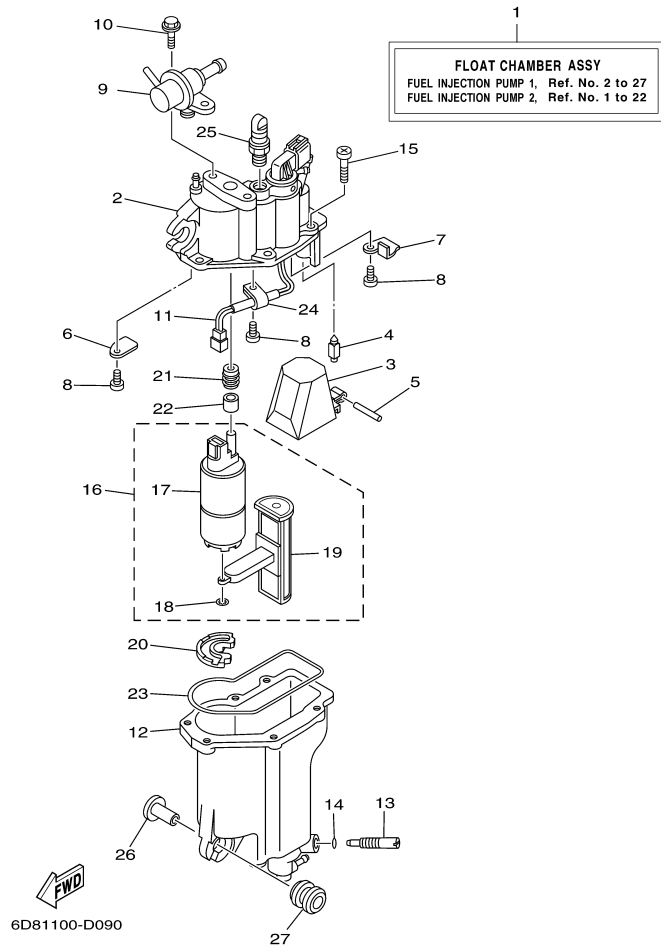
©2014 Yamaha Motor Corporation, U.S.A. All rights reserved.

Part List

F75TLR 0407 / INTAKE 3

| REF - NO | PART NUMBER | PART NAME | QUANTITY | REMARKS |
|----------------|-----------------|---------------------|----------|---------|
| 1 | 90119-06M08-00 | BOLT, WITH WASHER | 3 | |
| 2 | 90464-15007-00 | CLAMP | 2 | |
| 3 | 6D8-13428-00-00 | BRACKET, STRAINER 1 | 1 | |
| 4 | 97095-06012-00 | BOLT | 1 | |
| 5 | 92995-06600-00 | WASHER | 1 | |
| 6 | 6D8-24314-01-00 | PIPE 4 | 1 | |
| 7 | 90465-11M10-00 | CLAMP | 2 | |
| 8 | 69J-24170-00-00 | CANISTER ASSY | 1 | |
| 9 | 6D8-24315-00-00 | PIPE 5 | 1 | |
| 10 | 90465-11M10-00 | CLAMP | 2 | |
| 11 | 6D8-2417H-00-00 | CLAMP 1 | 1 | |
| 12 | 97095-06010-00 | BOLT | 1 | |
| 13 | 92995-06600-00 | WASHER | 1 | |
| 14 | 69J-24502-00-00 | FILTER, FUEL | 1 | |
| 15 | 6D8-24316-00-00 | PIPE 6 | 1 | |
| 16 | 90465-11M10-00 | CLAMP | 1 | |
| 17 | 90467-09M03-00 | CLIP | 1 | |
| 18 | 69J-44391-00-00 | NIPPLE, HOSE | 1 | |
| 19 | 6D8-2413X-00-00 | PLATE | 1 | |
| 20 | 6D8-24317-01-00 | PIPE 7 | 1 | |
| 21 | 90465-11M10-00 | CLAMP | 2 | |
| 22 | 69J-2419A-00-00 | HOLDER | 1 | |
| 23 | 97095-06016-00 | BOLT | 1 | |
| 24 | 92995-06600-00 | WASHER | 1 | |
| 25 | 6D8-2134X-00-00 | BRACKET, CANISTER | 1 | |
| 26 | 90480-10M23-00 | GROMMET | 2 | |
| 27 | 90387-06M60-00 | COLLAR | 2 | |
| 28 | 90119-06M59-00 | BOLT, WITH WASHER | 2 | |

F75TLR 0407 / FUEL INJECTION PUMP 1



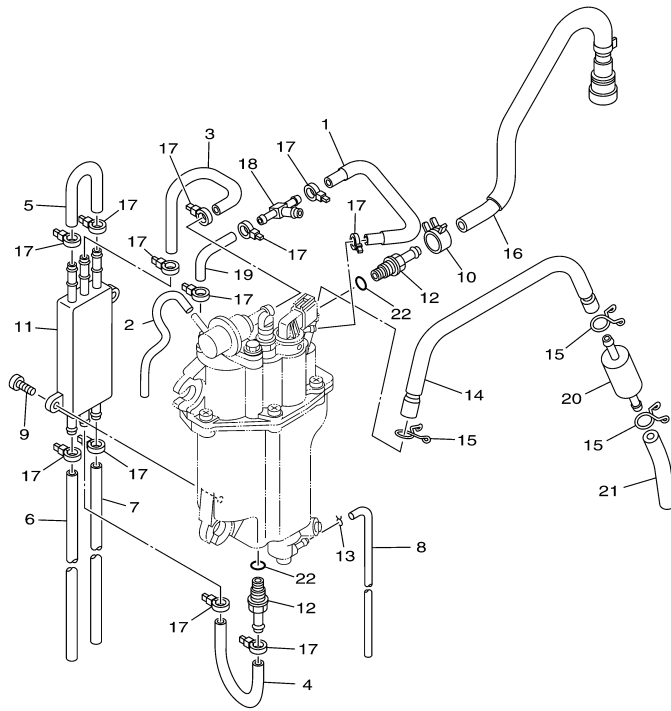
©2014 Yamaha Motor Corporation, U.S.A. All rights reserved.

Part List

F75TLR 0407 / FUEL INJECTION PUMP 1

| REF - NO | PART NUMBER | PART NAME | QUANTITY | REMARKS |
|----------------|-----------------|-----------------------|----------|---------|
| 1 | 6D8-14180-20-00 | FLOAT CHAMBER ASSY | 1 | |
| 2 | 6D8-14182-00-00 | COVER, FLOAT CHAMBER | 1 | |
| 3 | 6C5-14985-00-00 | FLOAT | 1 | |
| 4 | 6C5-14546-00-00 | VALVE, NEEDLE | 1 | |
| 5 | 6C5-14386-00-00 | PIN, FLOAT | 1 | |
| 6 | 6C5-2441R-00-00 | PLATE, BAFFLE 1 | 1 | |
| 7 | 6C5-2441T-00-00 | PLATE, BAFFLE 2 | 1 | |
| 8 | 6C5-24453-00-00 | SCREW | 3 | |
| 9 | 6C5-13906-01-00 | REGULATOR, PRESSURE | 1 | |
| 10 | 6C5-24592-00-00 | BOLT | 2 | |
| 11 | 6C5-87226-00-00 | WIRE HARNESS ASSY | 1 | |
| 12 | 6D8-14960-00-00 | BODY ASSY | 1 | |
| 13 | 6C5-14191-00-00 | PLUG, DRAIN | 1 | |
| 14 | 6C5-14397-00-00 | O-RING | 1 | |
| 15 | 6C5-14567-00-00 | SCREW | 6 | |
| 16 | 6C5-13910-00-00 | FUEL PUMP ASSY | 1 | |
| 17 | 6C5-13907-00-00 | .FUEL PUMP COMP | 1 | |
| 18 | 6C5-14127-00-00 | .CLIP | 1 | |
| 19 | 6C5-13915-00-00 | .FILTER | 1 | |
| 20 | 6C5-13593-00-00 | DAMPER | 1 | |
| 21 | 6C5-13781-00-00 | DAMPER, PUMP | 1 | |
| 22 | 6C5-13716-00-00 | COLLAR | 1 | |
| 23 | 6C5-14984-00-00 | GASKET, FLOAT CHAMBER | 1 | |
| 24 | 6C5-21337-00-00 | CLAMP, CABLE | 1 | |
| 25 | 6C5-14225-00-00 | CAP | 1 | |
| 26 | 90387-06M69-00 | COLLAR | 3 | |
| 27 | 90480-09M12-00 | GROMMET | 3 | |

F75TLR 0407 / FUEL INJECTION PUMP 2




6D82100-E100


Part List

F75TLR 0407 / FUEL INJECTION PUMP 2

| REF - NO | PART NUMBER | PART NAME | QUANTITY | REMARKS |
|----------|-----------------|------------------------|----------|---------|
| 1 | 6D8-13546-01-00 | HOSE 2 | 1 | |
| 2 | 6D8-13542-01-00 | HOSE, VACUUM SENSING 1 | 1 | |
| 3 | 6C5-24321-00-00 | PIPE 10 | 1 | |
| 4 | 6C5-24322-00-00 | PIPE 11 | 1 | |
| 5 | 6C5-24323-00-00 | PIPE 12 | 1 | |
| 6 | 6D8-24324-01-00 | PIPE 13 | 1 | |
| 7 | 6D8-24325-10-00 | PIPE 14 | 1 | |
| 8 | 6C5-14149-00-00 | PIPE (L200) | 1 | |
| 9 | 6C5-24444-00-00 | SCREW | 2 | |
| 10 | 6C5-13577-00-00 | CLIP | 1 | |
| 11 | 6C5-21841-00-00 | COOLER | 1 | |
| 12 | 6C5-14251-00-00 | NIPPLE | 2 | |
| 13 | 6C5-2411M-00-00 | CLIP | 1 | |
| 14 | 6D8-14148-00-00 | PIPE | 1 | |
| 15 | 6C5-24387-00-00 | CLIP | 3 | |
| 16 | 6D8-13974-00-00 | PIPE, FUEL 4 | 1 | |
| 17 | 90465-11M10-00 | CLAMP | 12 | |
| 18 | 6C5-24379-00-00 | PIPE, JOINT 4 | 1 | |
| 19 | 6C5-13545-00-00 | HOSE 1 | 1 | |
| 20 | 6C5-24251-00-00 | STRAINER 1 | 1 | |
| 21 | 6D8-2451B-00-00 | HOSE, FUEL INLET | 1 | |
| 22 | 6C5-13739-00-00 | O-RING | 2 | |

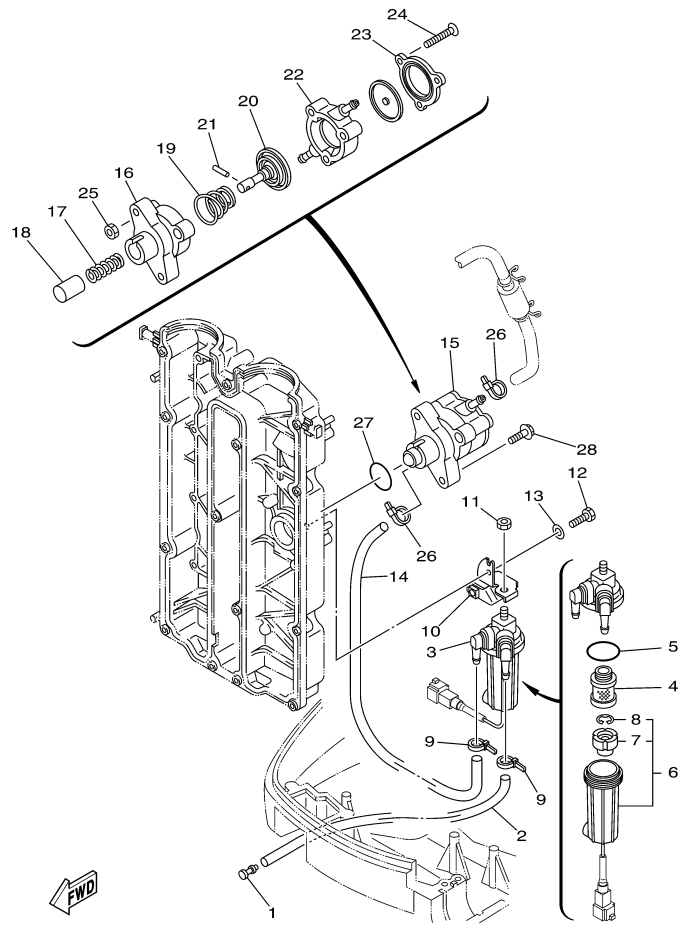
Part Notes

F75TLR 0407 / FUEL INJECTION PUMP 2

| PART NUMBER | NOTE TEXT |
|---|--|
| 6C5-24251-00-00  | OEM: This part number is among the Top 100 Most Popular Marine Maintenance Parts as of March 2014. |

©2014 Yamaha Motor Corporation, U.S.A. All rights reserved.

F75TLR 0407 / FUEL 1



6D64110-G110

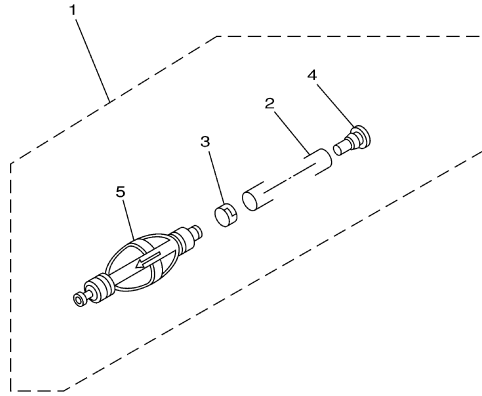
©2014 Yamaha Motor Corporation, U.S.A. All rights reserved.

Part List

F75TLR 0407 / FUEL 1

| REF - NO | PART NUMBER | PART NAME | QUANTITY | REMARKS |
|----------------|-----------------|----------------------|----------|---------|
| 1 | 689-85547-00-00 | DAMPER | 1 | |
| 2 | 90445-13M37-00 | HOSE (L2300) | 1 | |
| 3 | 6D8-24560-00-00 | FILTER ASSY | 1 | |
| 4 | 6D8-24563-00-00 | .ELEMENT, FILTER | 1 | |
| 5 | 6D8-24564-00-00 | .GASKET | 1 | |
| 6 | 6D8-24562-00-00 | .CUP, FILTER | 1 | |
| 7 | 6D8-24469-00-00 | ..FLOAT, WATER LEVEL | 1 | |
| 8 | 6D8-24519-00-00 | ..CLIP | 1 | |
| 9 | 90465-11M10-00 | CLAMP | 2 | |
| 10 | 6D8-24566-00-00 | BRACKET, FILTER | 1 | |
| 11 | 95380-08600-00 | NUT | 1 | |
| 12 | 97095-06016-00 | BOLT | 1 | |
| 13 | 92995-06600-00 | WASHER | 1 | |
| 14 | 6D8-24311-00-00 | PIPE, FUEL 1 | 1 | |
| 15 | 6D8-24410-00-00 | FUEL PUMP ASSY | 1 | |
| 16 | 68V-24412-00-00 | .BODY 1 | 1 | |
| 17 | 68V-24454-00-00 | .SPRING | 1 | |
| 18 | 63P-13131-00-00 | .PLUNGER | 1 | |
| 19 | 68V-24423-00-00 | .SPRING, DIAPHRAGM | 1 | |
| 20 | 68V-24411-00-00 | .DIAPHRAGM | 1 | |
| 21 | 68V-24374-00-00 | .PIN | 1 | |
| 22 | 68V-24413-00-00 | .BODY 2 | 1 | |
| 23 | 6D8-24414-00-00 | .BODY 3 | 1 | |
| 24 | 68V-24444-00-00 | .SCREW | 3 | |
| 25 | 68V-24149-00-00 | .NUT | 3 | |
| 26 | 90465-11M10-00 | CLAMP | 2 | |
| 27 | 93210-30682-00 | .O-RING | 1 | |
| 28 | 90119-06M83-00 | BOLT, WITH WASHER | 2 | |

F75TLR 0407 / FUEL 2



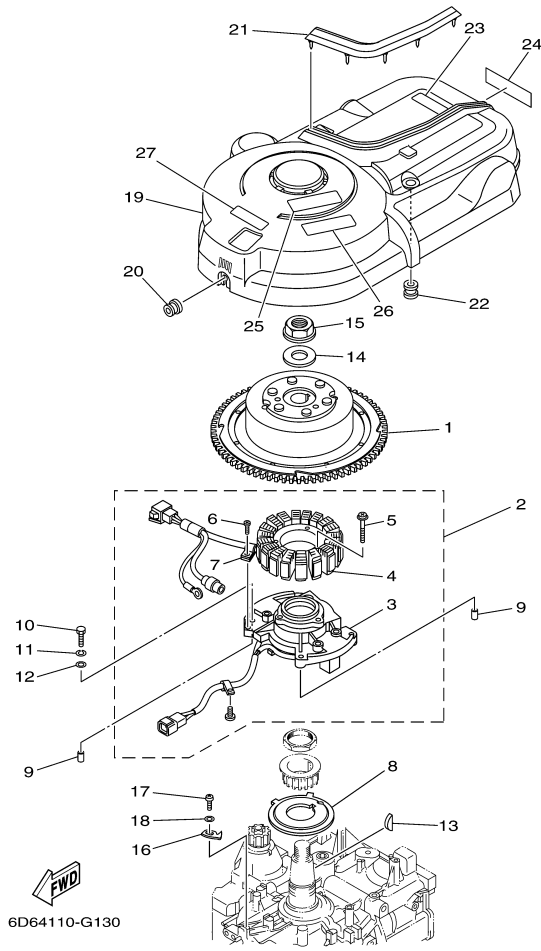
©2014 Yamaha Motor Corporation, U.S.A. All rights reserved.

Part List

F75TLR 0407 / FUEL 2

| REF - NO | PART NUMBER | PART NAME | QUANTITY | REMARKS |
|----------------|-----------------|-------------------|----------|---------|
| 1 | 6Y2-24307-50-00 | FUEL PIPE COMP. 2 | 1 | AP |
| 2 | 90445-13M01-00 | .HOSE (L2050) | 1 | |
| 3 | 6E5-24351-51-00 | .BAND 1 | 1 | |
| 4 | 90480-06M19-00 | .GROMMET | 1 | |
| 5 | 6Y2-24360-60-00 | .PRIMER PUMP ASSY | 1 | |

F75TLR 0407 / GENERATOR



©2014 Yamaha Motor Corporation, U.S.A. All rights reserved.


Part List

F75TLR 0407 / GENERATOR

| REF - NO | PART NUMBER | PART NAME | QUANTITY | REMARKS |
|----------------|-----------------|--------------------------------|----------|---------|
| 1 | 6D8-81450-00-00 | ROTOR ASSY | 1 | |
| 2 | 6D8-81460-00-00 | BASE ASSY | 1 | |
| 3 | 6D8-85580-00-00 | .COIL, PULSER | 1 | |
| 4 | 6D8-81410-00-00 | .STATOR ASSY | 1 | |
| 5 | 63D-81345-20-00 | .SCREW, WITH WASHER (M6X30) | 3 | |
| 6 | 97607-04110-00 | .SCREW, WITH WASHER | 1 | |
| 7 | 445-81328-20-00 | .CLAMP | 1 | |
| 8 | 68V-81673-00-00 | ROTOR | 1 | |
| 9 | 99530-08012-00 | PIN, DOWEL | 2 | |
| 10 | 97095-06030-00 | BOLT | 4 | |
| 11 | 92995-06100-00 | WASHER, SPRING | 4 | |
| 12 | 92995-06600-00 | WASHER | 4 | |
| 13 | 90280-05015-00 | KEY, WOODRUFF | 1 | |
| 14 | 90201-24014-00 | WASHER, PLATE | 1 | |
| 15 | 90179-24002-00 | NUT | 1 | |
| 16 | 6D8-81332-00-00 | PLATE, TIMING | 1 | |
| 17 | 97885-06010-00 | SCREW, PAN HEAD | 1 | |
| 18 | 92995-06600-00 | WASHER | 1 | |
| 19 | 6D8-81337-00-00 | COVER, FLYWHEEL | 1 | |
| 20 | 90480-12072-00 | GROMMET | 1 | |
| 21 | 6D8-85547-00-00 | DAMPER | 1 | |
| 22 | 663-82317-01-00 | DAMPER, IGNITION COIL | 2 | |
| 23 | 67F-12138-40-00 | MARK, CAUTION | 1 | |
| 24 | 68V-13437-41-00 | MARK, CAUTION | 1 | |
| 25 | 6AH-81995-40-00 | LABEL, WARNING | 1 | |
| 26 | 6AH-81994-40-00 | LABEL, SAFETY | 1 | |
| 27 | 6AG-81996-00-00 | MARK | 1 | |

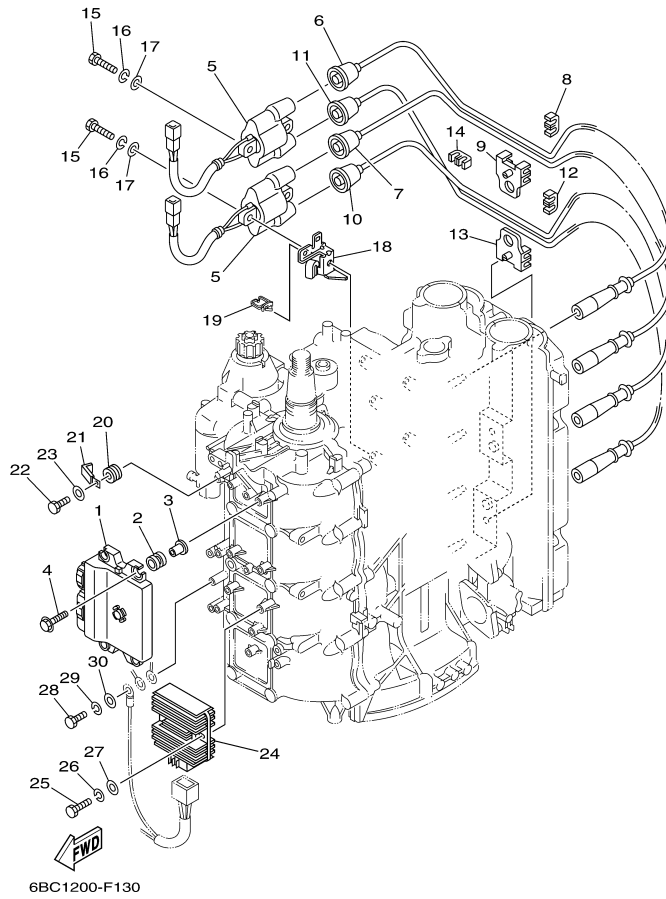
Part Notes

F75TLR 0407 / GENERATOR

| PART NUMBER | NOTE TEXT |
|--|---|
| 90480-12072-00  | OEM: GROMMET used on F115TLR and F/LF115TXR 0410 Production and Earlier |

©2014 Yamaha Motor Corporation, U.S.A. All rights reserved.

F75TLR 0407 / ELECTRICAL 1



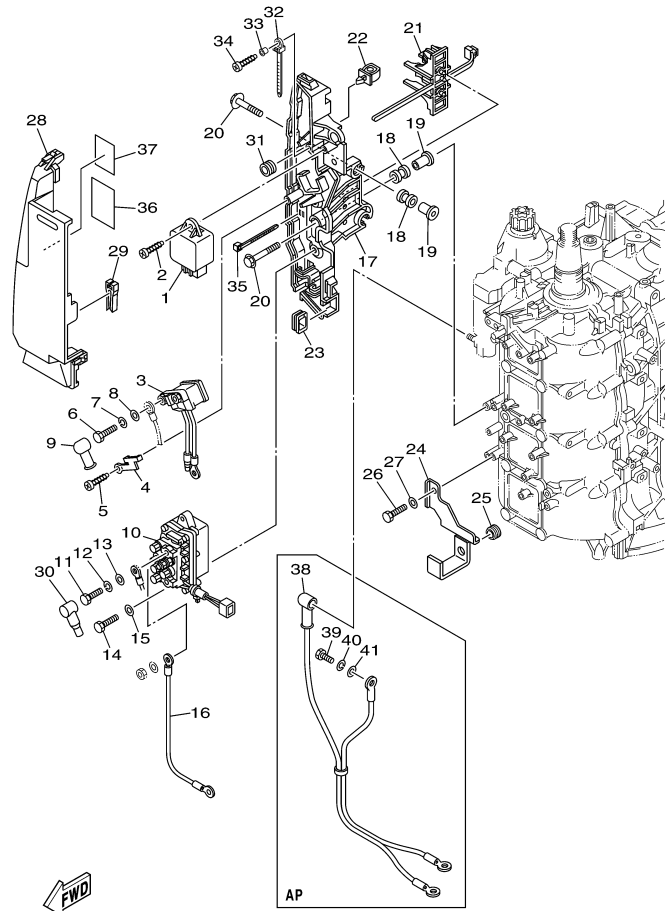
©2014 Yamaha Motor Corporation, U.S.A. All rights reserved.

Part List

F75TLR 0407 / ELECTRICAL 1

| REF - NO | PART NUMBER | PART NAME | QUANTITY | REMARKS |
|----------------|-----------------|-------------------------------|----------|---------|
| 1 | 6D6-8591A-11-00 | ENGINE CONTROL UNIT ASSY | 1 | UR F75 |
| 2 | 68V-82317-00-00 | DAMPER, IGNITION COIL | 4 | |
| 3 | 90387-06119-00 | COLLAR | 4 | |
| 4 | 90119-06M59-00 | BOLT, WITH WASHER | 4 | |
| 5 | 63P-82310-01-00 | IGNITION COIL ASSY | 2 | |
| 6 | 67F-82341-00-00 | CORD, HIGH TENSION 1 | 1 | #1 |
| 7 | 67F-82342-00-00 | CORD, HIGH TENSION 2 | 1 | #2 |
| 8 | 67F-82361-00-00 | CLAMP, CORD | 1 | |
| 9 | 67F-82362-00-00 | CLAMP, CORD 2 | 1 | |
| 10 | 67F-82343-00-00 | CORD, HIGH TENSION 3 | 1 | #3 |
| 11 | 67F-82344-00-00 | CORD, HIGH TENSION 4 | 1 | #4 |
| 12 | 67F-82361-00-00 | CLAMP, CORD | 1 | |
| 13 | 67F-82362-00-00 | CLAMP, CORD 2 | 1 | |
| 14 | 67F-82361-00-00 | CLAMP, CORD | 1 | |
| 15 | 97095-06025-00 | BOLT | 4 | |
| 16 | 92995-06100-00 | WASHER, SPRING | 4 | |
| 17 | 92995-06600-00 | WASHER | 4 | |
| 18 | 6D8-82388-01-00 | PLATE | 2 | |
| 19 | 90464-08004-00 | CLAMP | 2 | |
| 20 | 90480-14329-00 | GROMMET | 1 | |
| 21 | 90465-08M23-00 | CLAMP | 1 | |
| 22 | 97095-06014-00 | BOLT | 1 | |
| 23 | 92995-06600-00 | WASHER | 1 | |
| 24 | 6D3-81960-00-00 | RECTIFIER & REGULATOR ASSY | 1 | |
| 25 | 97095-06025-00 | BOLT | 2 | |
| 26 | 92995-06100-00 | WASHER, SPRING | 2 | |
| 27 | 92995-06600-00 | WASHER | 2 | |
| 28 | 97095-06016-00 | BOLT | 1 | |
| 29 | 92995-06100-00 | WASHER, SPRING | 1 | |
| 30 | 92995-06600-00 | WASHER | 1 | |

F75TLR 0407 / ELECTRICAL 2



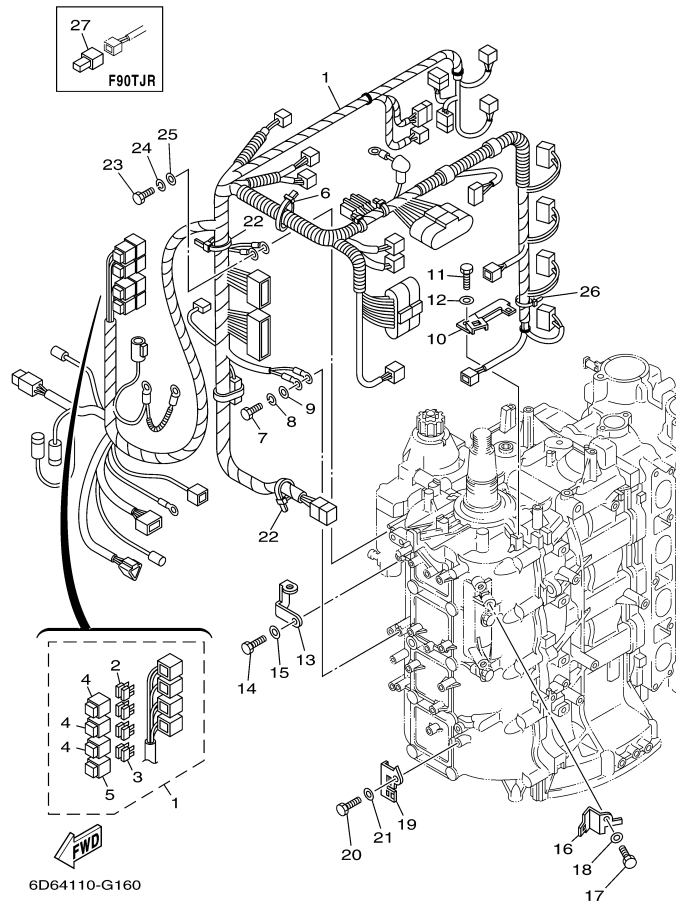
6D62110-E150

Part List

F75TLR 0407 / ELECTRICAL 2

| REF - NO | PART NUMBER | PART NAME | QUANTITY | REMARKS |
|----------------|-----------------|-----------------------|----------|---------|
| 1 | 60E-81950-00-00 | RELAY ASSY | 1 | |
| 2 | 97780-60625-00 | SCREW, TAPPING | 1 | |
| 3 | 68V-8194A-00-00 | RELAY | 1 | |
| 4 | 68V-81953-00-00 | STAY, RELAY | 1 | |
| 5 | 97780-60620-00 | SCREW, TAPPING | 1 | |
| 6 | 97095-06010-00 | BOLT | 2 | |
| 7 | 92995-06100-00 | WASHER, SPRING | 2 | |
| 8 | 92995-06600-00 | WASHER | 2 | |
| 9 | 6G5-82119-00-00 | COVER, LEAD WIRE | 2 | |
| 10 | 63P-81950-00-00 | RELAY ASSY | 1 | |
| 11 | 97095-06010-00 | BOLT | 2 | |
| 12 | 92995-06100-00 | WASHER, SPRING | 2 | |
| 13 | 92995-06600-00 | WASHER | 2 | |
| 14 | 97013-06020-00 | BOLT | 2 | |
| 15 | 92903-06600-00 | WASHER, PLATE | 2 | |
| 16 | 61A-81949-00-00 | WIRE, LEAD | 1 | |
| 17 | 68V-81948-02-00 | BRACKET | 1 | |
| 18 | 6A0-82317-00-00 | DAMPER, IGNITION COIL | 5 | |
| 19 | 90387-06119-00 | COLLAR | 5 | |
| 20 | 90119-06M59-00 | BOLT, WITH WASHER | 5 | |
| 21 | 68V-82594-00-00 | CLAMP | 1 | |
| 22 | 90464-12M58-00 | CLAMP | 1 | |
| 23 | 6D8-81518-00-00 | GROMMET | 1 | |
| 24 | 6D8-81528-00-00 | CLAMP 1 | 1 | |
| 25 | 90480-13M24-00 | GROMMET | 1 | |
| 26 | 97095-06014-00 | BOLT | 1 | |
| 27 | 92995-06600-00 | WASHER | 1 | |
| 28 | 68V-81942-03-00 | COVER | 1 | |
| 29 | 67F-2812A-00-00 | .PULLER, FUSE | 1 | |
| 30 | 682-82119-01-00 | COVER, LEAD WIRE | 2 | |
| 31 | 6A0-82317-00-00 | DAMPER, IGNITION COIL | 1 | |
| 32 | 90465-12M53-00 | CLAMP | 1 | |
| 33 | 90387-06M05-00 | COLLAR | 1 | |
| 34 | 97780-60625-00 | SCREW, TAPPING | 1 | |
| 35 | 90465-13M18-00 | CLAMP | 2 | |
| 36 | 68V-81919-00-00 | GRAPHIC, REGULATOR | 1 | |
| 37 | 6D8-81919-00-00 | GRAPHIC, REGULATOR | 1 | |
| 38 | 68V-82105-J0-00 | BATTERY CABLE | 1 | |
| 39 | 97013-06020-00 | BOLT | 1 | AP |
| 40 | 92903-06100-00 | WASHER, SPRING | 1 | AP |
| 41 | 92903-06600-00 | WASHER, PLATE | 1 | AP |

F75TLR 0407 / ELECTRICAL 3



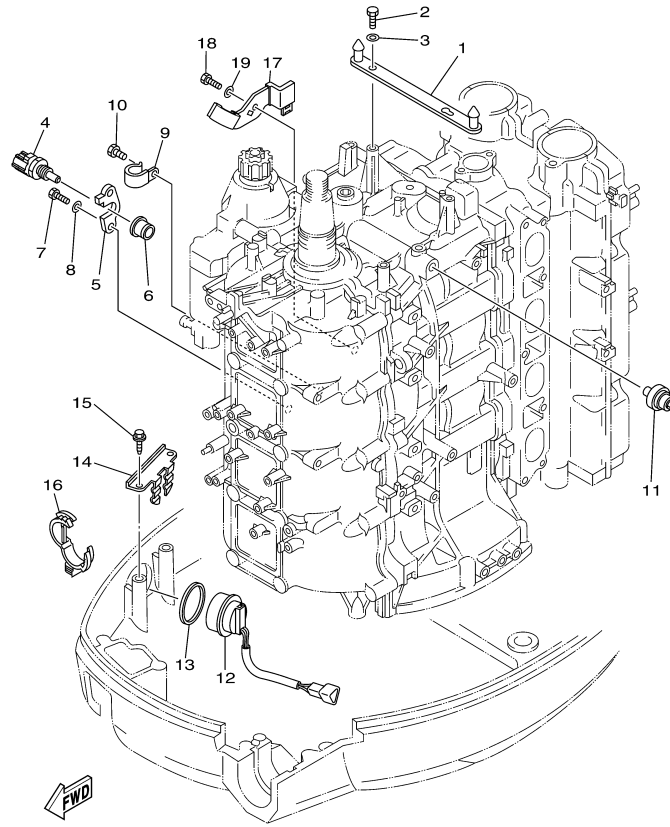
©2014 Yamaha Motor Corporation, U.S.A. All rights reserved.

Part List

F75TLR 0407 / ELECTRICAL 3

| REF - NO | PART NUMBER | PART NAME | QUANTITY | REMARKS |
|----------------|-----------------|---------------------|----------|---------|
| 1 | 6D8-82590-30-00 | WIRE HARNESS ASSY | 1 | |
| 2 | 67F-82151-00-00 | .FUSE (20A) | 6 | |
| 3 | 67F-82151-10-00 | .FUSE (30A) | 2 | |
| 4 | 67F-8215B-10-00 | .CAP (YELLOW) | 3 | |
| 5 | 67F-8215B-20-00 | .CAP (GREEN) | 1 | |
| 6 | 90464-76001-00 | CLAMP | 1 | |
| 7 | 97095-06016-00 | BOLT | 1 | |
| 8 | 92995-06100-00 | WASHER, SPRING | 1 | |
| 9 | 92995-06600-00 | WASHER | 1 | |
| 10 | 6D8-82588-00-00 | PLATE | 1 | |
| 11 | 97095-06012-00 | BOLT | 1 | |
| 12 | 92995-06600-00 | WASHER | 1 | |
| 13 | 6D8-82581-00-00 | STAY, CORD CLAMP | 1 | |
| 14 | 97095-06014-00 | BOLT | 1 | |
| 15 | 92995-06600-00 | WASHER | 1 | |
| 16 | 6D8-82389-00-00 | PLATE 2 | 1 | |
| 17 | 97095-06012-00 | BOLT | 1 | |
| 18 | 92995-06600-00 | WASHER | 1 | |
| 19 | 6D8-82398-00-00 | PLATE 3 | 1 | |
| 20 | 97095-06012-00 | BOLT | 1 | |
| 21 | 92995-06600-00 | WASHER | 1 | |
| 22 | 90465-13M18-00 | CLAMP | 2 | |
| 23 | 97095-06016-00 | BOLT | 1 | |
| 24 | 92995-06100-00 | WASHER, SPRING | 1 | |
| 25 | 92995-06600-00 | WASHER | 1 | |
| 26 | 90465-13M11-00 | CLAMP | 1 | |
| 27 | 68V-82582-10-00 | COVER, WIRE HARNESS | 1 | F90TJR |

F75TLR 0407 / ELECTRICAL 4



6D62100-E170

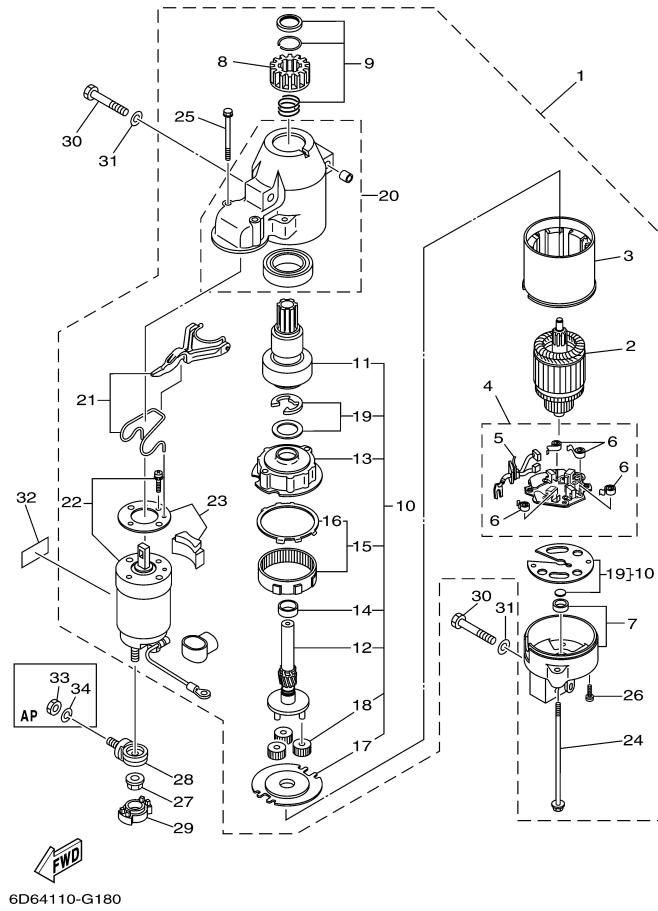
©2014 Yamaha Motor Corporation, U.S.A. All rights reserved.

Part List

F75TLR 0407 / ELECTRICAL 4

| REF - NO | PART NUMBER | PART NAME | QUANTITY | REMARKS |
|----------------|-----------------|--------------------------|----------|---------|
| 1 | 6D8-8132G-00-00 | PLATE | 1 | |
| 2 | 97095-06016-00 | BOLT | 2 | |
| 3 | 92995-06600-00 | WASHER | 2 | |
| 4 | 67F-85790-00-00 | THERMOSENSOR ASSY | 1 | |
| 5 | 67F-85757-00-00 | RETAINER | 1 | |
| 6 | 68V-85753-00-00 | .GASKET, SENDER UNIT | 1 | |
| 7 | 97095-06016-00 | BOLT | 2 | |
| 8 | 92995-06600-00 | WASHER | 2 | |
| 9 | 90465-06M86-00 | .CLAMP | 1 | |
| 10 | 97095-06010-00 | BOLT | 1 | |
| 11 | 68V-82504-00-00 | OIL PRESSURE SWITCH ASSY | 1 | |
| 12 | 63D-82563-10-00 | TRIM & TILT SWITCH ASSY | 1 | |
| 13 | 6E5-82587-00-00 | GASKET | 1 | |
| 14 | 67F-83614-00-00 | BRACKET | 1 | |
| 15 | 90109-06M86-00 | BOLT | 2 | |
| 16 | 90464-30003-00 | CLAMP | 2 | |
| 17 | 6D8-8252H-00-00 | PLATE, HOLDER | 1 | |
| 18 | 97095-06012-00 | BOLT | 1 | |
| 19 | 92995-06600-00 | WASHER | 1 | |

F75TLR 0407 / STARTING MOTOR



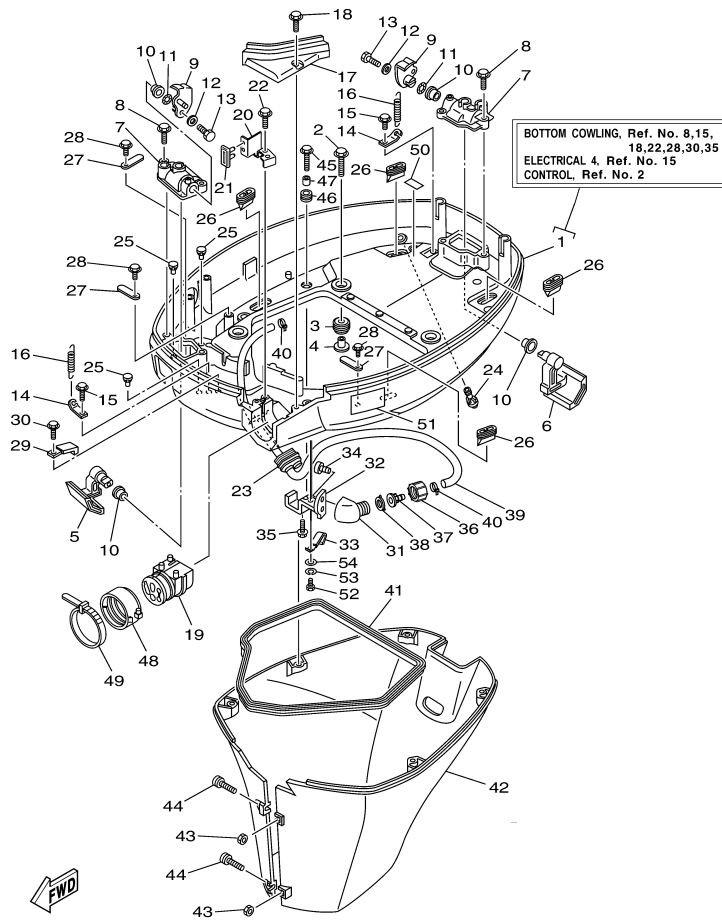
6D64110-G180

Part List

F75TLR 0407 / STARTING MOTOR

| REF - NO | PART NUMBER | PART NAME | QUANTITY | REMARKS |
|----------------|-----------------|-------------------------------|----------|---------|
| 1 | 68V-81800-01-00 | STARTING MOTOR ASSY | 1 | |
| 2 | 67F-81850-00-00 | .ARMATURE ASSY | 1 | |
| 3 | 67F-81810-00-00 | .STATOR ASSY | 1 | |
| 4 | 68F-81840-00-00 | .BRUSH HOLDER ASSY | 1 | |
| 5 | 67F-81801-00-00 | ..BRUSH SET | 1 | |
| 6 | 67F-81813-00-00 | ..SPRING, BRUSH | 4 | |
| 7 | 68F-81820-00-00 | .REAR BRACKET ASSY | 1 | |
| 8 | 67F-81808-00-00 | .PINION ASSY | 1 | |
| 9 | 67F-81857-00-00 | .PINION STOPPER SET | 1 | |
| 10 | 67F-81807-00-00 | .GEAR ASSY, STARTING MOTOR | 1 | |
| 11 | 67F-81832-00-00 | ..CLUTCH, OVER RUN | 1 | |
| 12 | 67F-81836-00-00 | ..SHAFT, PINION | 1 | |
| 13 | 67F-81821-00-00 | ..BRACKET, CENTER 1 | 1 | |
| 14 | 67F-81841-00-00 | ..BEARING | 1 | |
| 15 | 67F-81891-00-00 | ..GEAR, RING | 1 | |
| 16 | 67F-8183R-00-00 | ...GASKET | 1 | |
| 17 | 67F-81830-00-00 | ..BRACKET, CENTER 2 | 1 | |
| 18 | 60V-8183T-00-00 | ..GEAR, IDLER | 3 | |
| 19 | 67F-81809-00-00 | ..WASHER KIT | 1 | |
| 20 | 67F-81842-00-00 | .COVER | 1 | |
| 21 | 67F-81839-00-00 | .LEVER ASSY | 1 | |
| 22 | 68V-81941-01-00 | .STARTER RELAY ASSY | 1 | |
| 23 | 67F-81869-00-00 | .COVER, DUST | 1 | |
| 24 | 6K7-81826-11-00 | .BOLT | 2 | |
| 25 | 67F-81828-00-00 | .SCREW 2 | 2 | |
| 26 | 67F-81846-00-00 | .SCREW | 2 | |
| 27 | 90179-08003-00 | NUT | 1 | |
| 28 | 60V-81925-00-00 | TERMINAL | 1 | |
| 29 | 68F-82582-00-00 | COVER, WIRE HARNESS | 1 | |
| 30 | 97013-08045-00 | BOLT | 3 | |
| 31 | 92903-08600-00 | WASHER, PLATE | 3 | |
| 32 | 67F-83627-01-00 | LABEL, CAUTION 7 | 1 | |
| 33 | 95333-08600-00 | NUT | 1 | AP |
| 34 | 92903-08100-00 | WASHER, SPRING | 1 | AP |

F75TLR 0407 / BOTTOM COWLING



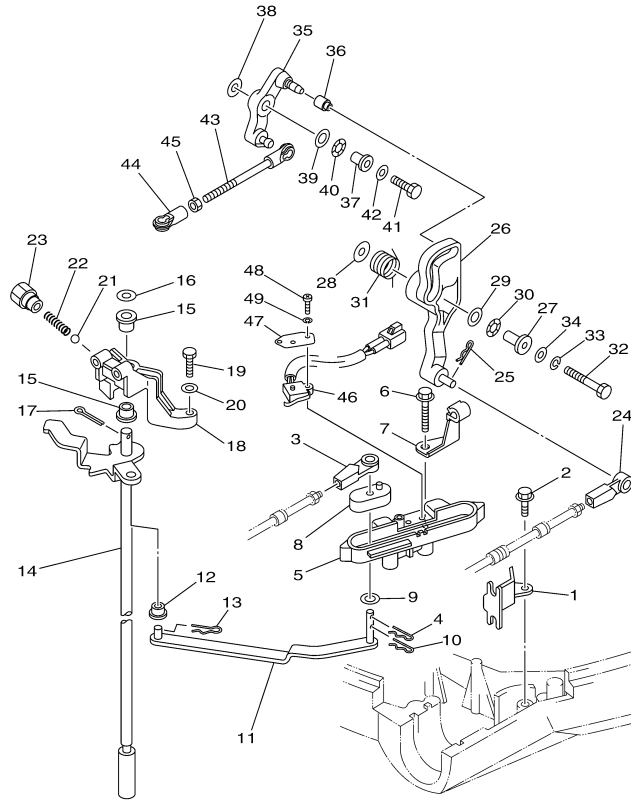
©2014 Yamaha Motor Corporation, U.S.A. All rights reserved.

Part List

F75TLR 0407 / BOTTOM COWLING

| REF - NO | PART NUMBER | PART NAME | QUANTITY | REMARKS |
|----------------|-----------------|--------------------------|----------|------------------------------|
| 1 | 6D8-42710-00-8D | BOTTOM COWLING ASSY | 1 | |
| 2 | 90119-08M22-00 | BOLT, WITH WASHER | 4 | |
| 3 | 90480-22M15-00 | GROMMET | 4 | |
| 4 | 90387-08M37-00 | COLLAR | 4 | |
| 5 | 67F-42815-00-8D | LEVER, CLAMP | 1 | |
| 6 | 67F-42816-00-8D | LEVER, CLAMP | 1 | |
| 7 | 67F-42828-00-5B | PLATE, CLAMP | 2 | |
| 8 | 90109-06M82-00 | BOLT | 4 | |
| 9 | 68V-42818-01-00 | LEVER, CLAMP | 2 | |
| 10 | 90386-15M73-00 | BUSH | 4 | |
| 11 | 90206-15M18-00 | WASHER, WAVE | 2 | |
| 12 | 90201-06068-00 | WASHER, PLATE | 2 | |
| 13 | 97095-06016-00 | BOLT | 2 | |
| 14 | 64D-43144-00-00 | HOOK, SPRING | 2 | |
| 15 | 90109-06M86-00 | BOLT | 2 | |
| 16 | 90506-16M34-00 | SPRING, TENSION | 2 | |
| 17 | 67F-42738-00-5B | PLATE, FITTING | 1 | |
| 18 | 90109-06M96-00 | BOLT | 2 | |
| 19 | 68V-42725-00-00 | GROMMET | 1 | |
| 20 | 6D8-42756-00-00 | STAY, CLAMP | 1 | |
| 21 | 6D8-42717-00-00 | RUBBER, SEAL 2 | 1 | |
| 22 | 90109-06M86-00 | BOLT | 1 | |
| 23 | 6H1-42726-21-00 | GROMMET | 1 | FLUSHING KIT |
| 24 | 6H3-44391-01-00 | NIPPLE, HOSE | 1 | |
| 25 | 6H4-42748-00-00 | GROMMET | 3 | |
| 26 | 67F-42717-00-00 | RUBBER, SEAL 2 | 4 | |
| 27 | 6E5-82588-00-00 | PLATE | 3 | |
| 28 | 90109-06M81-00 | BOLT | 3 | |
| 29 | 90465-08M23-00 | CLAMP | 1 | |
| 30 | 90109-06M86-00 | BOLT | 1 | |
| 31 | 68T-12572-00-00 | ADAPTER | 1 | FLUSHING KIT |
| 32 | 67F-12535-01-00 | PLATE | 1 | UR 62P:1011086~ 61P:1031948~ |
| 32 | 67F-12535-00-00 | PLATE | 1 | FLUSHING KIT |
| 33 | 90462-06018-00 | CLAMP | 1 | UR 62P:1011086~ 61P:1031948~ |
| 33 | 90465-06M88-00 | CLAMP | 1 | |
| 34 | 90167-06002-00 | SCREW, TAPPING | 2 | FLUSHING KIT |
| 35 | 90109-06M86-00 | BOLT | 1 | FLUSHING KIT |
| 36 | 6R3-12581-00-00 | JOINT, HOSE 1 | 1 | FLUSHING KIT |
| 37 | 6R3-12582-00-00 | JOINT, HOSE 2 | 1 | FLUSHING KIT |
| 38 | 6R3-12583-00-00 | GASKET, HOSE JOINT | 1 | FLUSHING KIT |
| 39 | 67F-24312-00-00 | PIPE 2 | 1 | FLUSHING KIT |
| 40 | 90465-11M10-00 | CLAMP | 2 | FLUSHING KIT |
| 41 | 61A-42716-00-00 | RUBBER, SEAL 1 | 1 | |
| 42 | 67F-42741-01-8D | APRON | 1 | |
| 43 | 95380-06600-00 | NUT, HEXAGON | 2 | |
| 44 | 90159-06M28-00 | SCREW, WITH WASHER | 2 | |
| 45 | 90109-06M80-00 | .BOLT | 5 | |
| 46 | 90480-13M24-00 | GROMMET | 5 | |
| 47 | 90387-06M43-00 | COLLAR | 5 | |
| 48 | 68F-42753-00-00 | FASTNER | 1 | AP |
| 49 | 90464-20258-00 | CLAMP | 1 | AP |
| 50 | 67F-82377-00-00 | LABEL | 1 | |
| 51 | 6AH-42794-40-00 | LABEL, WARNING (GENERAL) | 1 | |
| 52 | 97095-06100-00 | BOLT | 1 | UR 62P:1011086~ 61P:1031948~ |
| 53 | 92995-06100-00 | WASHER, SPRING | 1 | UR 62P:1011086~ 61P:1031948~ |
| 54 | 92995-06200-00 | .WASHER | 1 | UR 62P:1011086~ 61P:1031948~ |

F75TLR 0407 / CONTROL



6D81100-D230

©2014 Yamaha Motor Corporation, U.S.A. All rights reserved.




Part List

F75TLR 0407 / CONTROL

| REF - NO | PART NUMBER | PART NAME | QUANTITY | REMARKS |
|----------|-----------------|----------------------------|----------|---------------|
| 1 | 67F-48538-00-00 | CLAMP, CABLE 1 | 1 | |
| 2 | 90109-06M86-00 | BOLT | 1 | |
| 3 | 663-48344-00-00 | .CABLE END, REMOTE CONTROL | 1 | |
| 4 | 90468-18008-00 | CLIP | 1 | |
| 5 | 6D8-44117-00-00 | BRACKET | 1 | |
| 6 | 97595-06550-00 | BOLT, WITH WASHER | 2 | |
| 7 | 90462-10027-00 | CLAMP | 1 | |
| 8 | 68V-44122-01-00 | BUSHING, SHIFT ROD LEVER | 1 | |
| 9 | 90202-07M07-00 | WASHER, PLATE | 1 | |
| 10 | 90468-18008-00 | CLIP | 1 | |
| 11 | 67F-44121-00-00 | LEVER, SHIFT ROD | 1 | |
| 12 | 90386-06M12-00 | BUSH | 1 | |
| 13 | 90468-18008-00 | CLIP | 1 | |
| 14 | 67F-44120-30-00 | HANDLE GEAR SHIFT ASSY | 1 | UR X(26.1") |
| 14 | 67F-44120-10-00 | HANDLE GEAR SHIFT ASSY | 1 | UR L(21.1") |
| 15 | 90386-90M90-00 | BUSH | 2 | |
| 16 | 90201-09M02-00 | WASHER, PLATE | 1 | |
| 17 | 91490-20015-00 | PIN. COTTER | 1 | |
| 18 | 67F-44118-00-00 | BRACKET | 1 | |
| 19 | 97075-06025-00 | BOLT | 2 | |
| 20 | 92995-06600-00 | WASHER | 2 | |
| 21 | 93501-04M02-00 | BALL | 1 | |
| 22 | 90501-12082-00 | SPRING, COMPRESSION | 1 | |
| 23 | 648-42715-00-00 | BUSHING | 1 | |
| 24 | 663-48344-00-00 | .CABLE END, REMOTE CONTROL | 1 | |
| 25 | 90468-18008-00 | CLIP | 1 | |
| 26 | 6D8-42154-00-00 | LEVER, THROTTLE CONTROL | 1 | |
| 27 | 90387-06M21-00 | COLLAR | 1 | |
| 28 | 90201-06M62-00 | WASHER, PLATE | 1 | |
| 29 | 90201-10M02-00 | WASHER, PLATE | 1 | |
| 30 | 90206-10M04-00 | WASHER, WAVE | 1 | |
| 31 | 67F-44135-00-00 | SPRING | 1 | |
| 32 | 97095-06035-00 | BOLT | 1 | |
| 33 | 92995-06100-00 | WASHER, SPRING | 1 | |
| 34 | 92995-06600-00 | WASHER | 1 | |
| 35 | 6D8-42157-00-00 | LEVER, THROTTLE | 1 | |
| 36 | 68V-42171-00-00 | BUSHING | 1 | |
| 37 | 90387-06013-00 | COLLAR | 1 | |
| 38 | 90201-06M31-00 | .WASHER, PLATE | 1 | |
| 39 | 90201-10M02-00 | WASHER, PLATE | 1 | |
| 40 | 90206-10M04-00 | WASHER, WAVE | 1 | |
| 41 | 97095-06025-00 | BOLT | 1 | |
| 42 | 92995-06600-00 | WASHER | 1 | |
| 43 | 6D8-41237-00-00 | JOINT, LINK | 1 | |
| 44 | 682-41237-00-00 | JOINT, LINK | 1 | |
| 45 | 95380-05600-00 | NUT | 1 | |
| 46 | 60V-8259F-00-00 | SWITCH ASSY | 1 | EXCEPT F90TJR |
| 47 | 61A-82588-01-00 | PLATE | 1 | EXCEPT F90TJR |
| 48 | 97885-04016-00 | SCREW, PAN HEAD | 2 | EXCEPT F90TJR |
| 49 | 92995-04100-00 | WASHER | 2 | EXCEPT F90TJR |

Part Notes

F75TLR 0407 / CONTROL

| PART NUMBER | NOTE TEXT |
|--|--|
| 90468-18008-00  | OEM: This part number is among the Top 100 Most Popular Marine Maintenance Parts as of March 2014. |
| 90468-18008-00  | OEM: This part number is among the Top 100 Most Popular Marine Maintenance Parts as of March 2014. |
| 90468-18008-00  | OEM: This part number is among the Top 100 Most Popular Marine Maintenance Parts as of March 2014. |

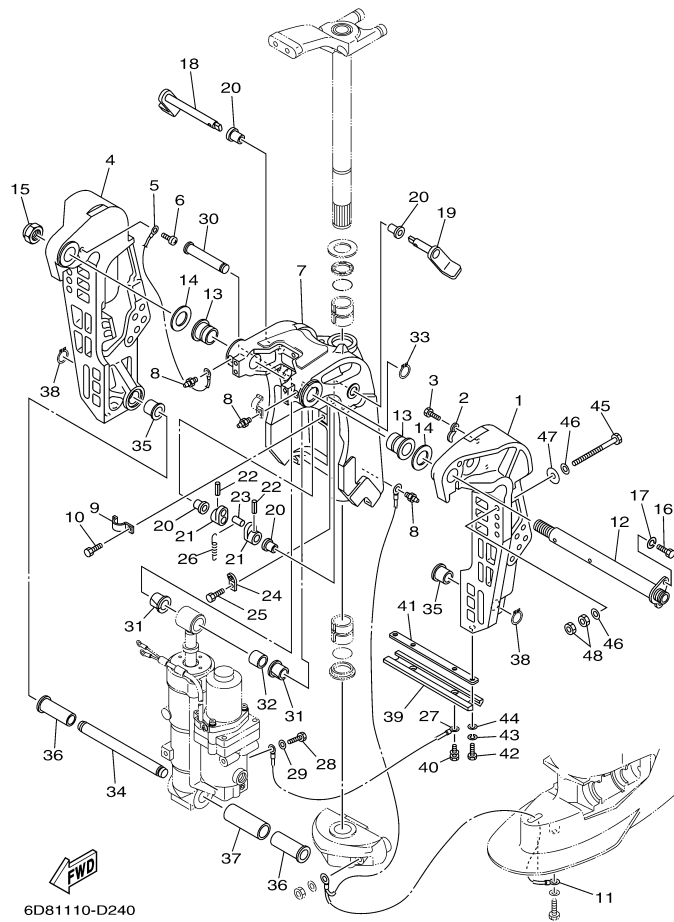
90468-18008-00



OEM: This part number is among the Top 100 Most Popular Marine Maintenance Parts as of March 2014.

©2014 Yamaha Motor Corporation, U.S.A. All rights reserved.

F75TLR 0407 / BRACKET 1



©2014 Yamaha Motor Corporation, U.S.A. All rights reserved.

Part List

F75TLR 0407 / BRACKET 1

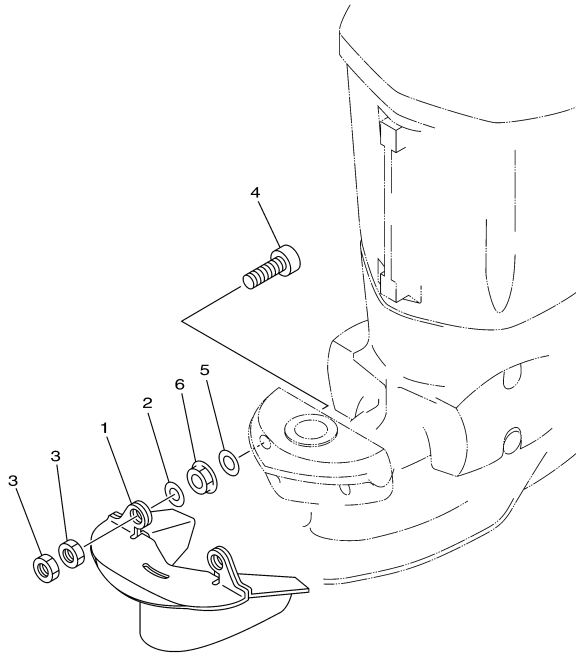
| REF - NO | PART NUMBER | PART NAME | QUANTITY | REMARKS |
|----------------|-----------------|------------------------|----------|---------|
| 1 | 67F-43111-00-8D | BRACKET, CLAMP 1 | 1 | |
| 2 | 90465-10M77-00 | CLAMP | 2 | |
| 3 | 97095-06010-00 | BOLT | 2 | |
| 4 | 67F-43112-00-8D | BRACKET, CLAMP 2 | 1 | |
| 5 | 6E5-82148-00-00 | WIRE, LEAD 4 | 1 | |
| 6 | 97880-06012-00 | SCREW, PAN HEAD | 1 | |
| 7 | 6D8-43311-00-8D | BRACKET, SWIVEL 1 | 1 | |
| 8 | 93700-06M03-00 | NIPPLE, GREASE | 3 | |
| 9 | 90465-08M63-00 | CLAMP | 1 | |
| 10 | 97095-06010-00 | BOLT | 1 | |
| 11 | 67F-82127-00-00 | WIRE, LEAD 2 | 1 | |
| 12 | 64E-43131-01-00 | BOLT, CLAMP BRACKET | 1 | |
| 13 | 90386-25M31-00 | BUSH | 2 | |
| 14 | 90201-26M59-00 | WASHER, PLATE | 2 | |
| 15 | 90185-22M11-00 | NUT, SELF-LOCKING | 1 | |
| 16 | 97095-08020-00 | BOLT | 1 | |
| 17 | 92995-08100-00 | WASHER | 1 | |
| 18 | 6D8-43181-00-00 | LEVER, TILT STOP 1 | 1 | |
| 19 | 6D8-43185-00-00 | LEVER, TILT STOP 2 | 1 | |
| 20 | 90386-10M16-00 | BUSH | 4 | |
| 21 | 6G5-43148-00-00 | COLLAR, DISTANCE | 2 | |
| 22 | 91690-30020-00 | PIN, SPRING | 2 | |
| 23 | 90249-06M19-00 | PIN | 1 | |
| 24 | 66T-43144-00-00 | HOOK, SPRING | 1 | |
| 25 | 97095-06010-00 | BOLT | 1 | |
| 26 | 90506-14M24-00 | SPRING, TENSION | 1 | |
| 27 | 6D8-82148-00-00 | WIRE, LEAD 4 | 1 | |
| 28 | 97095-06010-00 | BOLT | 1 | |
| 29 | 92995-06600-00 | WASHER | 1 | |
| 30 | 6D8-43126-00-00 | PIN, UPPER SHOCK MOUNT | 1 | |
| 31 | 90386-18M35-00 | BUSH | 2 | |
| 32 | 90386-18001-00 | BUSH | 1 | |
| 33 | 93410-18M05-00 | CIRCLIP | 1 | |
| 34 | 67F-43818-00-00 | PIN, LOWER SHOCK MOUNT | 1 | |
| 35 | 90387-18M01-00 | COLLAR | 2 | |
| 36 | 90386-18MA0-00 | BUSH | 2 | |
| 37 | 90387-22M01-00 | COLLAR | 1 | |
| 38 | 93410-18M05-00 | CIRCLIP | 2 | |
| 39 | 6H1-45251-03-00 | ANODE | 1 | |
| 40 | 90119-06M81-00 | BOLT, WITH WASHER | 2 | |
| 41 | 6H1-44526-00-00 | PLATE | 1 | |
| 42 | 97095-06016-00 | BOLT | 2 | |
| 43 | 92995-06100-00 | WASHER, SPRING | 2 | |
| 44 | 92995-06600-00 | WASHER | 2 | |
| 45 | 90101-12M03-00 | BOLT (L:115MM) | 4 | |
| 46 | 90201-13M01-00 | WASHER, PLATE | 8 | |
| 47 | 90201-12M05-00 | WASHER, PLATE | 4 | |
| 48 | 95380-12600-00 | NUT | 8 | |

Part List

F75TLR 0407 / BRACKET 2

| REF - NO | PART NUMBER | PART NAME | QUANTITY | REMARKS |
|----------------|-----------------|----------------------------------|----------|---------|
| 1 | 67H-83672-00-00 | TRIM SENDER | 1 | |
| 2 | 97885-06016-00 | SCREW, PAN HEAD | 2 | |
| 3 | 90465-08M63-00 | CLAMP | 1 | |
| 4 | 64E-43139-10-00 | CAM, TRIM SENDER | 1 | |
| 5 | 90159-05059-00 | SCREW, WITH WASHER | 1 | |
| 6 | 90465-11M10-00 | CLAMP | 1 | |
| 7 | 90465-11M10-00 | CLAMP | 3 | |
| 8 | 67F-42510-11-8D | STEERING BRACKET ASSY | 1 | |
| 9 | 90201-30M00-00 | WASHER, PLATE | 1 | |
| 10 | 90386-30M78-00 | BUSH | 1 | |
| 11 | 93210-29M94-00 | O-RING | 2 | |
| 12 | 90386-30M77-00 | BUSH | 2 | |
| 13 | 90386-30M60-00 | BUSH | 1 | |
| 14 | 67F-44551-00-8D | HOUSING, LOWER MOUNT RUBBER 1 | 1 | |
| 15 | 93410-28M06-00 | CIRCLIP | 1 | |
| 16 | 67F-44514-00-94 | MOUNT DAMPER, UPPER SIDE | 1 | |
| 17 | 90119-08091-00 | BOLT, WITH WASHER | 3 | |
| 18 | 90109-12007-00 | BOLT | 2 | |
| 19 | 67F-44526-00-00 | PLATE | 1 | |
| 20 | 90201-12M16-00 | WASHER, PLATE | 2 | |
| 21 | 90201-13M01-00 | WASHER, PLATE | 2 | |
| 22 | 67F-44533-00-00 | DAMPER, UPPER MOUNT RUBBER | 2 | |
| 23 | 95780-12300-00 | NUT, FLANGE | 2 | |
| 24 | 67F-44555-00-94 | MOUNT DAMPER, LOWER SIDE | 2 | |
| 25 | 90201-13M03-00 | WASHER, PLATE | 2 | |
| 26 | 90109-12012-00 | BOLT | 2 | |
| 27 | 90201-12M16-00 | WASHER, PLATE | 2 | |
| 28 | 90201-24M02-00 | WASHER, PLATE | 2 | |
| 29 | 90202-25M04-00 | WASHER, PLATE | 2 | |
| 30 | 90201-13M19-00 | WASHER, PLATE | 2 | |
| 31 | 95380-12800-00 | NUT, CROWN | 2 | |
| 32 | 67F-44575-00-00 | DAMPER, LOWER MOUNT RUBBER | 1 | |
| 33 | 67F-44553-00-8D | COVER, LOWER MOUNT | 2 | |
| 34 | 97075-10040-00 | BOLT | 4 | |
| 35 | 92995-10100-00 | WASHER | 4 | |
| 36 | 67F-48511-00-8D | HOOK, STEERING | 1 | |
| 37 | 90116-10175-00 | BOLT, STUD | 2 | |
| 38 | 90185-10051-00 | NUT, SELF-LOCKING | 2 | |

F75TLR 0407 / OPTIONAL PARTS



6D62100-E230

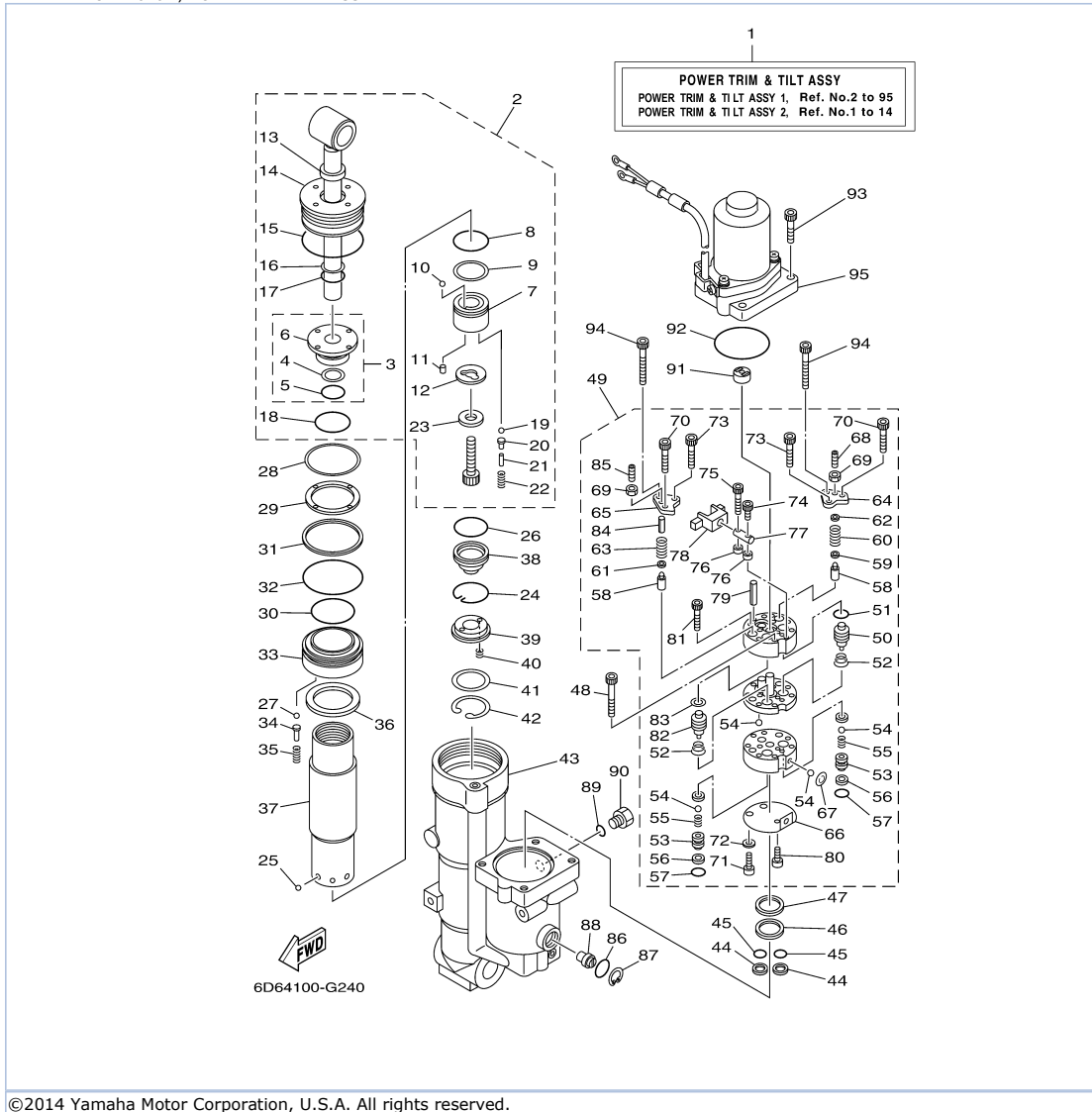
©2014 Yamaha Motor Corporation, U.S.A. All rights reserved.

Part List

F75TLR 0407 / OPTIONAL PARTS

| REF - NO | PART NUMBER | PART NAME | QUANTITY | REMARKS |
|----------------|-----------------|------------------------------|----------|---------|
| 1 | 67F-45180-00-4D | PLATE, SPLASH | 1 | AP |
| 2 | 90201-12M01-00 | WASHER, PLATE | 2 | AP |
| 3 | 95380-12700-00 | NUT | 4 | AP |
| 4 | 90110-12M00-00 | BOLT, HEXAGON SOCKET HEAD | 2 | AP |
| 5 | 90201-12M16-00 | WASHER, PLATE | 2 | AP |
| 6 | 95780-12300-00 | NUT, FLANGE | 2 | AP |

F75TLR 0407 / POWER TRIM TILT ASSY 1



©2014 Yamaha Motor Corporation, U.S.A. All rights reserved.

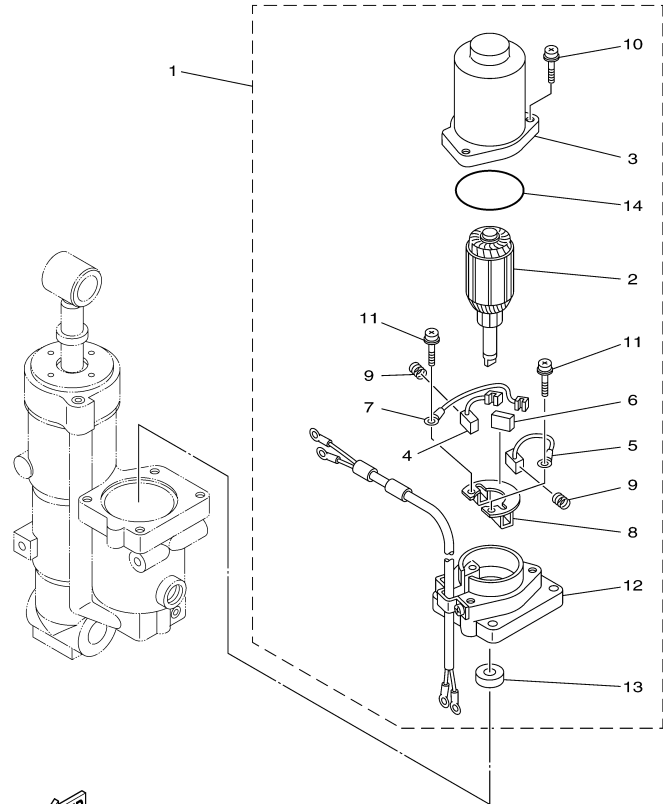
Part List

F75TLR 0407 / POWER TRIM TILT ASSY 1

| REF - NO | PART NUMBER | PART NAME | QUANTITY | REMARKS |
|----------------|-----------------|------------------------------|----------|---------|
| 1 | 6D8-43800-01-8D | POWER TRIM & TILT ASSY | 1 | |
| 2 | 67F-43810-01-00 | TILT PISTON SUB ASSY | 1 | |
| 3 | 67F-4380R-00-00 | .CYLINDER END SUB ASSY | 1 | |
| 4 | 6H1-43872-10-00 | ..RING, BACK UP | 1 | |
| 5 | 93210-18397-00 | ..O-RING | 1 | |
| 6 | 67F-43811-00-00 | ..SCREW, CYLINDER END | 1 | |
| 7 | 67F-4385A-01-00 | .PISTON, TILT | 1 | |
| 8 | 93210-29375-00 | .O-RING | 1 | |
| 9 | 62X-43871-00-00 | .RING, BACK UP | 1 | |
| 10 | 93501-08001-00 | .BALL | 1 | |
| 11 | 93602-07244-00 | .PIN, DOWEL | 2 | |
| 12 | 67F-22435-00-00 | .PLATE, VALVE 2 | 1 | |
| 13 | 6H1-43812-00-00 | .SEAL, DUST | 1 | |
| 14 | 67F-43821-00-00 | .SCREW, TRIM CYLINDER END | 1 | |
| 15 | 67F-43861-00-00 | .O-RING | 1 | |
| 16 | 6H1-43872-10-00 | .RING, BACK UP | 1 | |
| 17 | 93210-18397-00 | .O-RING | 1 | |
| 18 | 62X-43862-00-00 | .O-RING | 1 | |
| 19 | 93501-08001-00 | .BALL | 2 | |
| 20 | 65W-4386A-00-00 | .PIN, ABSORBER VALVE | 2 | |
| 21 | 688-4386F-00-00 | .PIN, STRAIGHT | 2 | |
| 22 | 65W-43853-00-00 | .SPRING, MAIN VALVE | 2 | |
| 23 | 67F-43893-00-00 | .WASHER | 1 | |
| 24 | 67F-43875-00-00 | RING, SNAP | 1 | |
| 25 | 93503-16003-00 | BALL | 6 | |
| 26 | 67F-43863-00-00 | O-RING | 1 | |
| 27 | 93501-08001-00 | .BALL | 5 | |
| 28 | 67F-43899-00-00 | PLATE STOPPER | 1 | |
| 29 | 67F-43816-00-00 | FILTER 1 | 1 | |
| 30 | 67F-43862-00-00 | O-RING | 1 | |
| 31 | 67F-43871-00-00 | RING, BACK UP | 1 | |
| 32 | 62X-43865-00-00 | O-RING | 1 | |
| 33 | 67F-4388A-00-00 | PISTON, TRIM | 1 | |
| 34 | 6T4-4386A-00-00 | PIN, ABSORBER VALVE | 5 | |
| 35 | 67F-43857-00-00 | SPRING, ABSORBER VALVE | 5 | |
| 36 | 67F-4381J-00-00 | PLATE | 1 | |
| 37 | 67F-22471-01-00 | CYLINDER, SHOCK ABSORBER | 1 | |
| 38 | 67F-4381B-00-00 | FREE PISTON SUB ASSY | 1 | |
| 39 | 62X-43899-00-00 | PLATE STOPPER | 1 | |
| 40 | 62X-4384H-00-00 | SPRING | 2 | |
| 41 | 1UF-22434-00-00 | PLATE, VALVE 1 | 1 | |
| 42 | 62X-43875-00-00 | RING, SNAP | 1 | |
| 43 | 6D8-4380K-00-00 | CYLINDER, TILT SUB ASSY | 1 | |
| 44 | 6C6-43817-00-00 | FILTER 2 | 2 | |
| 45 | 69J-4389J-00-00 | .O-RING | 2 | |
| 46 | 6C5-43816-00-00 | FILTER 1 | 1 | |
| 47 | 6C5-4380G-00-00 | PLATE | 1 | |
| 48 | 91312-05045-00 | BOLT | 2 | |
| 49 | 6D8-43830-00-00 | GEAR PUMP ASSY | 1 | |
| 50 | 6C6-43841-00-00 | .PISTON, SHUTTLE | 1 | |
| 51 | 6H1-43883-00-00 | .O-RING | 1 | |
| 52 | 6C6-43894-00-00 | .SPRING, SHUTTLE RETURN | 2 | |
| 53 | 6C6-4382E-00-00 | .ADAPTOR 2 | 2 | |
| 54 | 93505-32038-00 | .BALL | 6 | |
| 55 | 6C6-43853-00-00 | .SPRING, MAIN VALVE | 2 | |
| 56 | 6C6-4387G-00-00 | .WASHER | 2 | |
| 57 | 69J-4389J-00-00 | .O-RING | 2 | |
| 58 | 6C5-43851-00-00 | .SEAT, RELIEF VALVE | 2 | |
| 59 | 6C5-43893-00-00 | .WASHER | 1 | |
| 60 | 6D8-43855-00-00 | .SPRING, UP RELIEF | 1 | |

| | | | | |
|----|-----------------|-------------------------|---|-----------------|
| 61 | 6C6-43893-00-00 | .WASHER | 1 | |
| 62 | 6C5-4381K-00-00 | .HOLDER | 1 | |
| 63 | 6D8-43856-00-00 | .SPRING, DOWN RELIEF | 1 | |
| 64 | 6C5-4382K-00-00 | .CAP, RELIEF VALVE | 1 | |
| 65 | 6C5-4382L-00-00 | .CAP, RELIEF VALVE | 1 | |
| 66 | 6C5-43895-00-00 | .SEAT, RELIEF VALVE | 1 | |
| 67 | 6C5-43854-00-00 | .SPRING, MANUAL RELEASE | 1 | |
| 68 | 92A08-03110-00 | .SCREW SET | 1 | |
| 69 | 95302-03600-00 | .NUT | 2 | |
| 70 | 91312-05030-00 | .BOLT | 2 | |
| 71 | 6C6-43878-00-00 | .BOLT, SOCKET | 2 | |
| 72 | 62Y-4387G-00-00 | .WASHER | 2 | |
| 73 | 91312-04030-00 | .BOLT | 2 | |
| 74 | 91312-03016-00 | .BOLT | 1 | |
| 75 | 6C6-4388E-00-00 | .PLUG, TAPER SCREW | 1 | |
| 76 | 6C6-4388F-00-00 | .SPACER | 2 | |
| 77 | 6C6-4386G-00-00 | .PIN, STRAIGHT 2 | 1 | |
| 78 | 6C6-4386E-00-00 | .LEVER 1 | 1 | |
| 79 | 91609-50028-00 | .PIN, SPRING | 2 | |
| 80 | 91312-03005-00 | .BOLT | 1 | |
| 81 | 91312-05025-00 | .BOLT | 2 | |
| 82 | 6C5-43841-00-00 | .PISTON, SHUTTLE | 1 | |
| 83 | 6C5-43872-00-00 | .RING, BACK UP | 1 | |
| 84 | 6D8-4381G-00-00 | .PIN 1 | 1 | |
| 85 | 92A08-03012-00 | .SCREW SET | 1 | |
| 86 | 93210-18397-00 | O-RING | 1 | |
| 87 | 6H1-43875-00-00 | .RING, SNAP | 1 | |
| 88 | 6D8-43845-00-00 | SCREW, MANUAL RELEASE | 1 | |
| 89 | 93210-09165-00 | O-RING | 1 | |
| 90 | 6H1-43829-00-00 | .PLUG, RESERVOIR | 1 | |
| 91 | 6D8-43831-00-00 | CONNECTOR, SHAFT | 1 | |
| 92 | 93210-64488-00 | .O-RING | 1 | |
| 93 | 65W-43888-00-00 | BOLT, SOCKET | 4 | |
| 94 | 91312-05050-00 | BOLT | 2 | |
| 95 | 6D8-43880-01-00 | MOTOR ASSY | 1 | REFER TO FIG.25 |

F75TLR 0407 / POWER TRIM TILT ASSY 2




6D63100-F250

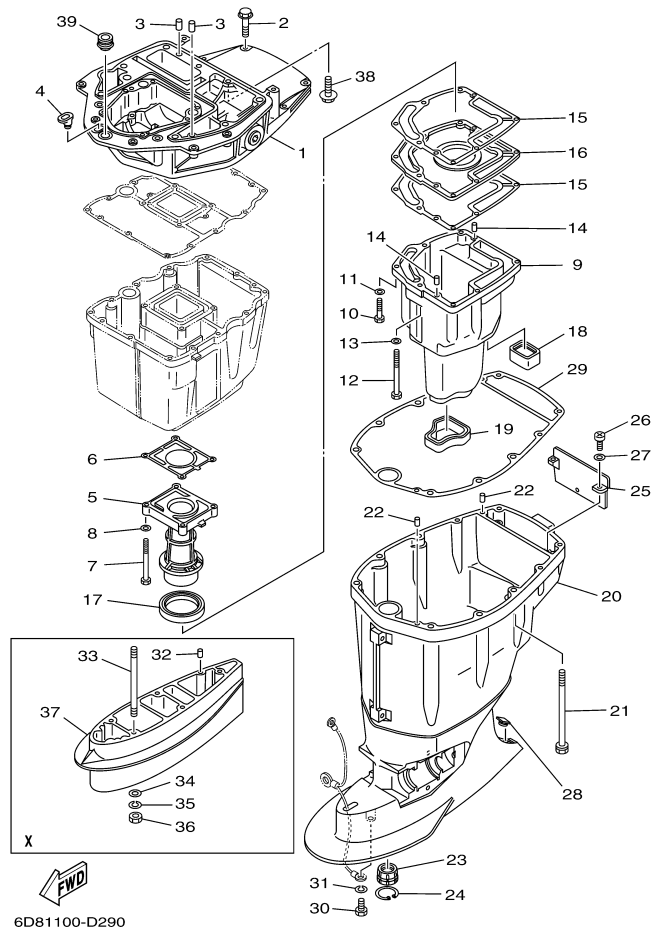
©2014 Yamaha Motor Corporation, U.S.A. All rights reserved.

Part List

F75TLR 0407 / POWER TRIM TILT ASSY 2

| REF - NO | PART NUMBER | PART NAME | QUANTITY | REMARKS |
|----------------|-----------------|---------------------------------|----------|---------|
| 1 | 6D8-43880-01-00 | MOTOR ASSY | 1 | |
| 2 | 6D8-43805-01-00 | .ARMATURE ASSY | 1 | |
| 3 | 6D8-43804-01-00 | .STATOR ASSY | 1 | |
| 4 | 6H1-43891-11-00 | .BRUSH 1 | 1 | |
| 5 | 6H1-43892-11-00 | .BRUSH 2 | 1 | |
| 6 | 6H1-82181-10-00 | .CIRCUIT BREAKER COMP | 1 | |
| 7 | 62X-43807-00-00 | .WIRE SUB ASSY | 1 | |
| 8 | 6H1-4380F-11-00 | .PLATE, BRUSH HOLDER | 1 | |
| 9 | 62X-4386K-00-00 | .SPRING, BRUSH | 2 | |
| 10 | 97980-05225-00 | .SCREW, WITH WASHER | 3 | |
| 11 | 97602-04216-00 | .SCREW, PAN HEAD WITH WASHER | 2 | |
| 12 | 6D8-43881-01-00 | .FRAME, END | 1 | |
| 13 | 93102-08414-00 | .OIL SEAL | 1 | |
| 14 | 93210-554A9-00 | .O-RING | 1 | |

F75TLR 0407 / UPPER CASING



©2014 Yamaha Motor Corporation, U.S.A. All rights reserved.



Part List

F75TLR 0407 / UPPER CASING

| REF - NO | PART NUMBER | PART NAME | QUANTITY | REMARKS |
|----------|-----------------|-----------------------------|----------|----------|
| 1 | 6D8-41137-00-94 | GUIDE, EXHAUST | 1 | |
| 2 | 97575-08540-00 | BOLT, WITH WASHER | 4 | |
| 3 | 93608-16M16-00 | PIN, DOWEL | 2 | |
| 4 | 6G1-42727-00-00 | GROMMET | 1 | |
| 5 | 67F-41131-01-5B | MANIFOLD, EXT. 1 | 1 | |
| 6 | 67F-41133-A1-00 | .GASKET, EXHAUST MANIFOLD 1 | 1 | |
| 7 | 97075-06070-00 | BOLT | 4 | |
| 8 | 92995-06600-00 | WASHER | 4 | |
| 9 | 67F-14711-00-5B | MUFFLER 1 | 1 | |
| 10 | 97075-06030-00 | BOLT | 6 | |
| 11 | 92995-06600-00 | WASHER | 6 | |
| 12 | 97075-06050-00 | BOLT | 1 | |
| 13 | 92995-06600-00 | WASHER | 1 | |
| 14 | 93606-19M23-00 | PIN, DOWEL | 2 | |
| 15 | 67F-41134-A0-00 | .GASKET, EXHAUST MANIFOLD | 2 | |
| 16 | 67F-45181-00-5B | PLATE | 1 | |
| 17 | 67F-41138-00-00 | .SEAL, EXT. 1 | 1 | |
| 18 | 67F-45127-00-00 | .SEAL | 1 | |
| 19 | 67F-45123-00-00 | .GASKET, MUFFLER | 1 | |
| 20 | 67F-45111-11-8D | CASING, UPPER | 1 | |
| 21 | 90119-10M08-00 | BOLT, WITH WASHER | 6 | |
| 22 | 93608-16M16-00 | PIN, DOWEL | 2 | |
| 23 | 67F-45318-00-00 | BUSHING, DRIVE SHAFT | 1 | |
| 24 | 93420-36M01-00 | CIRCLIP | 1 | |
| 25 | 67F-45151-00-00 | COVER, UPPER CASING | 1 | |
| 26 | 97880-06016-00 | SCREW, PAN HEAD | 2 | |
| 27 | 92990-06600-00 | WASHER, PLATE | 2 | |
| 28 | 67F-45155-00-00 | CAP | 1 | |
| 29 | 67F-45113-00-00 | .GASKET, UPPER CASING | 1 | |
| 30 | 97095-08016-00 | BOLT | 1 | |
| 31 | 92995-08100-00 | WASHER | 1 | |
| 32 | 93606-12019-00 | .PIN, DOWEL | 2 | X(26.1") |
| 33 | 90116-10M05-00 | BOLT, STUD | 4 | X(26.1") |
| 34 | 92990-10600-00 | WASHER, PLATE | 4 | X(26.1") |
| 35 | 92990-10100-00 | WASHER, SPRING | 4 | X(26.1") |
| 36 | 95380-10600-00 | NUT | 4 | X(26.1") |
| 37 | 688-45211-01-8D | EXTENSION | 1 | X(26.1") |
| 38 | 90119-08M58-00 | BOLT, WITH WASHER | 2 | |
| 39 | 67F-42724-00-00 | GROMMET | 1 | |

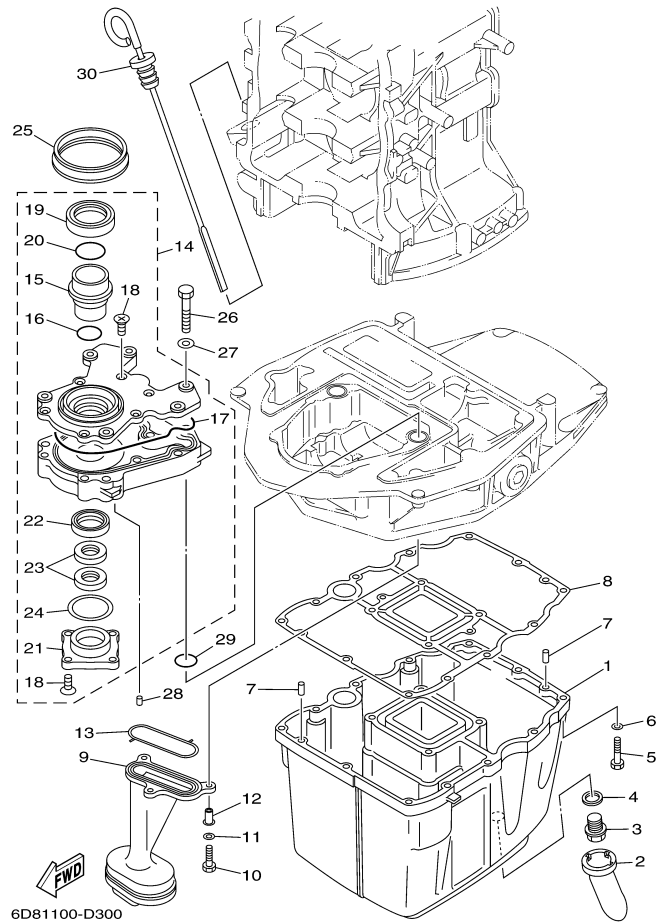
Part Notes

F75TLR 0407 / UPPER CASING

| PART NUMBER | NOTE TEXT |
|--|--|
| 92990-06600-00  | OEM: This part number is among the Top 100 Most Popular Marine Maintenance Parts as of March 2014. |
| 92990-10600-00  | OEM: This part number is among the Top 100 Most Popular Marine Maintenance Parts as of March 2014. |

©2014 Yamaha Motor Corporation, U.S.A. All rights reserved.

F75TLR 0407 / OIL PAN



©2014 Yamaha Motor Corporation, U.S.A. All rights reserved.


Part List

F75TLR 0407 / OIL PAN

| REF - NO | PART NUMBER | PART NAME | QUANTITY | REMARKS |
|----------|-----------------|----------------------|----------|---------|
| 1 | 67F-15311-03-5B | OIL PAN | 1 | |
| 2 | 63P-15316-00-00 | DAMPER 1 | 1 | |
| 3 | 90340-14M06-00 | PLUG, STRAIGHT SCREW | 1 | |
| 4 | 90430-14M09-00 | .GASKET | 1 | |
| 5 | 97075-06025-00 | BOLT | 12 | |
| 6 | 92995-06600-00 | WASHER | 12 | |
| 7 | 93606-12019-00 | .PIN, DOWEL | 2 | |
| 8 | 68V-15312-00-00 | .GASKET, OIL PAN | 1 | |
| 9 | 67F-13411-00-00 | STRAINER, OIL | 1 | |
| 10 | 97027-06025-00 | BOLT, HEXAGON | 3 | |
| 11 | 92907-06600-00 | .WASHER, PLATE | 3 | |
| 12 | 90387-06M64-00 | COLLAR | 3 | |
| 13 | 67F-13415-00-00 | .SEAL, OIL STRAINER | 1 | |
| 14 | 67F-13300-10-00 | OIL PUMP ASSY | 1 | |
| 15 | 67F-13314-02-00 | .SHAFT, PUMP | 1 | |
| 16 | 67F-13473-01-00 | .O-RING | 1 | |
| 17 | 67F-13329-00-00 | .GASKET, PUMP COVER | 1 | |
| 18 | 67F-13495-00-00 | .SCREW | 10 | |
| 19 | 67F-13119-01-00 | .OIL SEAL | 1 | |
| 20 | 67F-13769-00-00 | .O-RING | 1 | |
| 21 | 67F-13914-00-00 | .HOUSING, PUMP | 1 | |
| 22 | 67F-13631-03-00 | .OIL SEAL | 1 | |
| 23 | 67F-13149-00-00 | .OIL SEAL | 2 | |
| 24 | 67F-13339-00-00 | .GASKET, PUMP COVER | 1 | |
| 25 | 67F-13338-00-00 | SEAL | 1 | |
| 26 | 97095-06045-00 | .BOLT | 6 | |
| 27 | 92995-06600-00 | WASHER | 6 | |
| 28 | 93604-12M07-00 | PIN, DOWEL | 2 | |
| 29 | 93210-19MJ1-00 | .O-RING | 2 | |
| 30 | 6D8-15362-00-00 | PLUG, OIL LEVEL | 1 | |

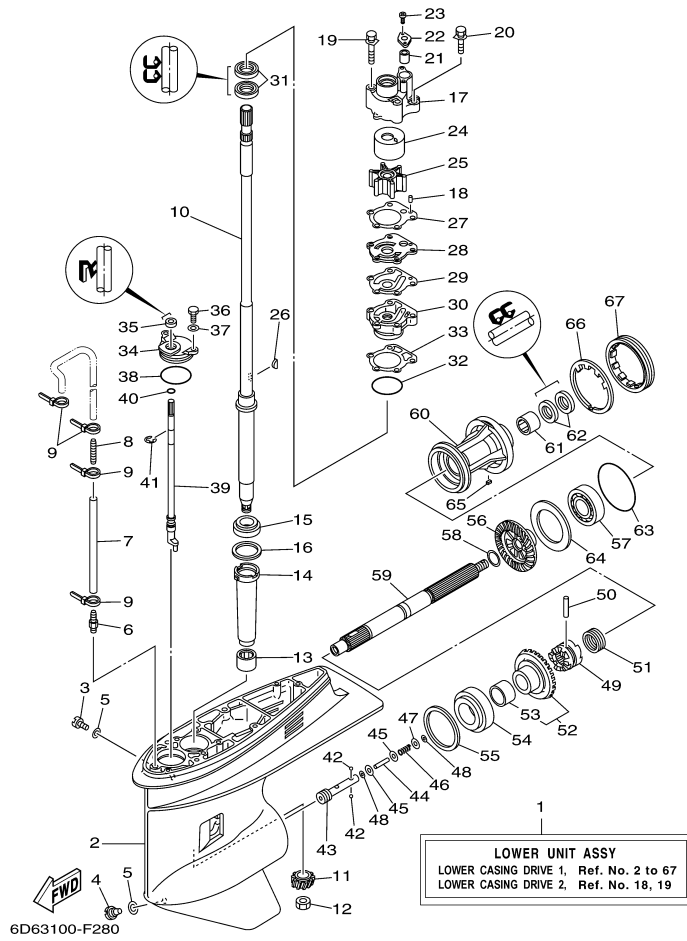
Part Notes

F75TLR 0407 / OIL PAN

| PART NUMBER | NOTE TEXT |
|--|--|
| 90430-14M09-00  | OEM: This part number is among the Top 100 Most Popular Marine Maintenance Parts as of March 2014. |

©2014 Yamaha Motor Corporation, U.S.A. All rights reserved.

F75TLR 0407 / LOWER CASING DRIVE 1



©2014 Yamaha Motor Corporation, U.S.A. All rights reserved.

Part List








F75TLR 0407 / LOWER CASING DRIVE 1

| REF - NO | PART NUMBER | PART NAME | QUANTITY | REMARKS |
|----------------|-----------------|-------------------------|----------|-------------|
| 1 | 6D9-45300-31-8D | LOWER UNIT ASSY | 1 | UR X(26.1") |
| 1 | 6D9-45300-11-8D | LOWER UNIT ASSY | 1 | UR L(21.1") |
| 2 | 67F-45301-00-8D | CASING, LOWER | 1 | |
| 3 | 90340-08002-00 | PLUG, STRAIGHT SCREW | 1 | |
| 4 | 688-45341-10-00 | PLUG, DRAIN | 1 | |
| 5 | 90430-08020-00 | .GASKET | 2 | |
| 6 | 6E5-45378-00-00 | NIPPLE, HOSE | 1 | |
| 7 | 90445-07M38-00 | HOSE (L300) | 1 | UR X(26.1") |
| 7 | 90445-07M31-00 | HOSE (L200) | 1 | UR L(21.1") |
| 8 | 6E5-83558-10-00 | END, NIPPLE | 1 | |
| 9 | 90465-11M10-00 | CLAMP | 4 | |
| 10 | 67F-45501-30-00 | DRIVE SHAFT COMP. | 1 | UR X(26.1") |
| 10 | 67F-45501-10-00 | DRIVE SHAFT COMP. | 1 | UR L(21.1") |
| 11 | 6D9-45551-00-00 | PINION (13T) | 1 | |
| 12 | 90170-16M01-00 | NUT | 1 | |
| 13 | 93315-52563-00 | BEARING | 1 | |
| 14 | 688-45536-01-00 | SLEEVE, DRIVE SHAFT | 1 | |
| 15 | 93332-000U3-00 | BEARING | 1 | |
| 16 | 688-45587-01-00 | SHIM (T:0.10MM) | 1 | UR |
| 16 | 688-45587-10-00 | SHIM (T:0.12MM) | 1 | UR |
| 16 | 688-45587-20-00 | SHIM (T:0.15MM) | 1 | UR |
| 16 | 688-45587-60-00 | SHIM (T:0.50MM) | 1 | UR |
| 16 | 688-45587-40-00 | SHIM (T:0.30MM) | 1 | UR |
| 16 | 688-45587-50-00 | SHIM (T:0.40MM) | 1 | UR |
| 16 | 688-45587-30-00 | SHIM (T:0.18MM) | 1 | UR |
| 17 | 67F-44311-01-00 | HOUSING, WATER PUMP | 1 | |
| 18 | 93604-10M03-00 | PIN, DOWEL | 2 | |
| 19 | 90119-08M87-00 | .BOLT, WITH WASHER | 2 | |
| 20 | 90119-08M13-00 | .BOLT, WITH WASHER | 2 | |
| 21 | 663-44366-00-00 | .DAMPER, WATER SEAL 2 | 1 | |
| 22 | 90480-19M06-00 | GROMMET | 1 | |
| 23 | 90160-04006-00 | SCREW, ROUND TAPPING | 2 | |
| 24 | 67F-44322-00-00 | .INSERT, CARTRIDGE | 1 | |
| 25 | 67F-44352-00-00 | .IMPELLER | 1 | |
| 26 | 90280-04M04-00 | .KEY, WOODRUFF | 1 | |
| 27 | 688-44315-A0-00 | .GASKET, WATER PUMP | 1 | |
| 28 | 67F-44323-00-00 | .OUTER PLATE, CARTRIDGE | 1 | |
| 29 | 688-44324-A0-00 | .GASKET, CARTRIDGE | 1 | |
| 30 | 6D8-44341-00-94 | HOUSING, WATER PUMP | 1 | |
| 31 | 93101-25M03-00 | .OIL SEAL | 2 | |
| 32 | 93210-46044-00 | O-RING | 1 | |
| 33 | 688-44316-A0-00 | .GASKET, WATER PUMP | 1 | |
| 34 | 688-45321-00-00 | PLATE | 1 | |
| 35 | 93106-09014-00 | .OIL SEAL | 1 | |
| 36 | 97095-06016-00 | BOLT | 2 | |
| 37 | 92995-06600-00 | WASHER | 2 | |
| 38 | 93210-49046-00 | .O-RING | 1 | |
| 39 | 67F-44150-01-00 | SHIFT CAM ASSY | 1 | |
| 40 | 93210-07003-00 | .O-RING | 1 | |
| 41 | 99001-08600-00 | CIRCLIP | 1 | |
| 42 | 93503-16003-00 | BALL | 2 | |
| 43 | 67F-45634-00-00 | SLIDE, SHIFT | 1 | |
| 44 | 6H1-45668-00-00 | SHAFT, FREE 1 | 1 | |
| 45 | 6H1-45635-00-00 | PLUNGER, SHIFT | 2 | |
| 46 | 90501-12M48-00 | SPRING, COMPRESSION | 1 | |
| 47 | 90201-03313-00 | WASHER, PLATE | 1 | |
| 48 | 90183-02M03-00 | NUT, SPRING | 2 | |
| 49 | 6D8-45631-00-00 | CLUTCH, DOG | 1 | |
| 50 | 90250-07M02-00 | PIN, STRAIGHT | 1 | |
| 51 | 688-45633-00-00 | RING, CROSS PIN | 1 | |
| 52 | 67F-45560-00-00 | GEAR 1 (30T) | 1 | |

| | | | | |
|----|-----------------|------------------|---|----|
| 53 | 93317-322V0-00 | .BEARING | 1 | |
| 54 | 93332-000UD-00 | BEARING | 1 | |
| 55 | 688-45567-01-00 | SHIM (T:0.10MM) | 1 | UR |
| 55 | 688-45567-10-00 | SHIM (T:0.12MM) | 1 | UR |
| 55 | 688-45567-20-00 | SHIM (T:0.15MM) | 1 | UR |
| 55 | 688-45567-60-00 | SHIM (T:0.50MM) | 1 | UR |
| 55 | 688-45567-40-00 | SHIM (T:0.30MM) | 1 | UR |
| 55 | 688-45567-50-00 | SHIM (T:0.40MM) | 1 | UR |
| 55 | 688-45567-30-00 | SHIM (T:0.18MM) | 1 | UR |
| 56 | 6D9-45571-00-00 | GEAR 2 (30T) | 1 | |
| 57 | 93306-207U0-00 | .BEARING | 1 | |
| 58 | 90201-25M05-00 | WASHER, PLATE | 1 | |
| 59 | 67F-45611-01-00 | SHAFT, PROPELLER | 1 | |
| 60 | 67F-45331-00-94 | HOUSING, BEARING | 1 | |
| 61 | 93317-325U0-00 | BEARING | 1 | |
| 62 | 93101-25M03-00 | .OIL SEAL | 2 | |
| 63 | 93210-86M39-00 | .O-RING | 1 | |
| 64 | 67F-45576-00-00 | WASHER, THRUST 2 | 1 | |
| 65 | 90282-04010-00 | KEY, STRAIGHT | 1 | |
| 66 | 688-45383-02-00 | WASHER, CLAW | 1 | |
| 67 | 688-45384-00-00 | NUT | 1 | |

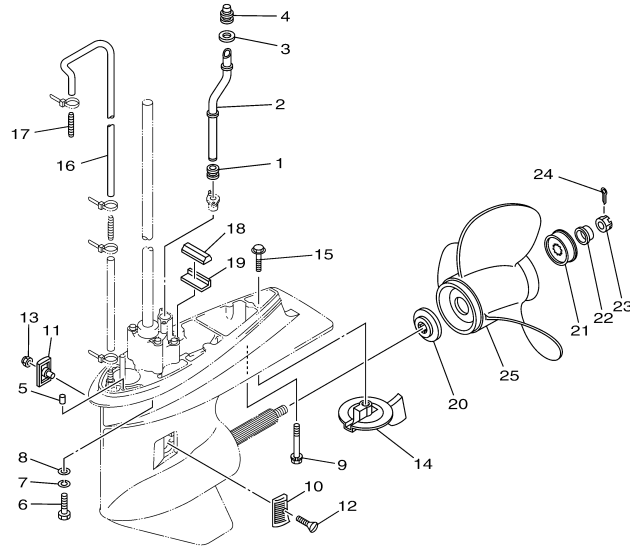
Part Notes

F75TLR 0407 / LOWER CASING DRIVE 1

| PART NUMBER | NOTE TEXT |
|---|--|
| 90430-08020-00  | OEM: This part number is among the Top 100 Most Popular Marine Maintenance Parts as of March 2014. |
| 6D9-45551-00-00  | OEM: This part is discontinued does not supersede. It must be replaced with a gear-set. The forward gear supersedes to this new gear-set is p/n 999990402900 which consists of 1 - 6D9-45551-10-00 PINION GEAR (11T), 1 - 6D9-45560-10-00 FORWARD GEAR (25T), and 1 - 6D9-45571-10-00 REVERSE GEAR (25T). These gears, which were used in production starting in January 2012 on the F75 and F90 models, must be installed as a set when replacing the original gears. |
| 93101-25M03-00  | OEM: This part number is among the Top 100 Most Popular Marine Maintenance Parts as of March 2014. |
| 93106-09014-00  | OEM: This part number is among the Top 100 Most Popular Marine Maintenance Parts as of March 2014. |
| 67F-45560-00-00  | OEM: This part is superseded by a new gear set 999990402900 which consists of 1 - 6D9-45551-10-00 PINION GEAR (11T), 1 - 6D9-45560-10-00 FORWARD GEAR (25T), and 1 - 6D9-45571-10-00 REVERSE GEAR (25T) These gears, which were used in production starting in January 2012 on the F75 and F90 models, must be installed as a set when replacing the original gears. |
| 6D9-45571-00-00  | OEM: This part is discontinued does not supersede. It must be replaced with a gear-set. The forward gear supersedes to this new gear-set is p/n 999990402900 which consists of 1 - 6D9-45551-10-00 PINION GEAR (11T), 1 - 6D9-45560-10-00 FORWARD GEAR (25T), and 1 - 6D9-45571-10-00 REVERSE GEAR (25T). These gears, which were used in production starting in January 2012 on the F75 and F90 models, must be installed as a set when replacing the original gears. |
| 93101-25M03-00  | OEM: This part number is among the Top 100 Most Popular Marine Maintenance Parts as of March 2014. |

©2014 Yamaha Motor Corporation, U.S.A. All rights reserved.

F75TLR 0407 / LOWER CASING DRIVE 2




6D81100-D320


Part List

F75TLR 0407 / LOWER CASING DRIVE 2

| REF - NO | PART NUMBER | PART NAME | QUANTITY | REMARKS |
|----------|-----------------|--------------------------------------|----------|-------------|
| 1 | 663-44367-00-00 | DAMPER, WATER SEAL 3 | 1 | |
| 2 | 6D8-44361-10-00 | TUBE, WATER 1 | 1 | UR X(26.1") |
| 2 | 6D8-44361-00-00 | TUBE, WATER 1 | 1 | UR L(21.1") |
| 3 | 6D8-44314-00-00 | SPACER | 1 | |
| 4 | 67F-44365-00-00 | DAMPER, WATER SEAL 1 | 1 | |
| 5 | 93606-12019-00 | .PIN, DOWEL | 2 | |
| 6 | 97075-10040-00 | BOLT | 4 | L(21.1") |
| 7 | 92995-10100-00 | WASHER | 4 | L(21.1") |
| 8 | 92995-10600-00 | WASHER | 4 | L(21.1") |
| 9 | 90119-08M84-00 | BOLT, WITH WASHER | 1 | UR L(21.1") |
| 9 | 90119-08M86-00 | BOLT, WITH WASHER | 1 | UR X(26.1") |
| 10 | 6H1-45214-00-00 | COVER, WATER INLET 1 | 1 | |
| 11 | 6H1-45215-00-00 | COVER, WATER INLET 2 | 1 | |
| 12 | 90151-05M00-00 | SCREW, COUNTERSUNK | 1 | |
| 13 | 90185-05002-00 | NUT, NYLON | 1 | |
| 14 | 67F-45371-00-00 | TAB-TRIM | 1 | |
| 15 | 90105-10M67-00 | BOLT, FLANGE | 1 | |
| 16 | 90445-07ME0-00 | HOSE (L1220) | 1 | |
| 17 | 6E5-83558-00-00 | END, NIPPLE | 1 | |
| 18 | 688-45375-00-00 | DAMPER, SEAL | 1 | |
| 19 | 663-45376-00-94 | GUIDE, SEAL DAMPER | 1 | |
| 20 | 688-45987-01-00 | SPACER 1 | 1 | |
| 21 | 67F-45997-00-00 | SPACER 2 | 1 | |
| 22 | 90389-25M00-00 | BUSH | 1 | |
| 23 | 90171-16011-00 | NUT, CASTLE | 1 | |
| 24 | 91490-40025-00 | PIN. COTTER | 1 | |
| 25 | 6E5-45941-00-EL | PROPELLER (3X13"X19"-K) | 1 | UR |
| 25 | 6E5-45958-00-EL | PROPELLER (3X13-5/8"X14"-K) | 1 | UR |
| 25 | 6E5-45945-01-EL | PROPELLER (3X13-1/4"X17"-K) | 1 | UR |
| 25 | 6E5-45947-00-EL | PROPELLER (3X13-1/2"X15"-K) | 1 | UR |
| 25 | 6E5-45949-00-EL | PROPELLER (3X13-5/8"X13"-K) | 1 | UR |
| 25 | 688-45970-03-98 | PROPELLER (3 X 13-1/2" X 19" -K) () | 1 | UR |
| 25 | 688-45972-02-98 | PROPELLER (3X13"X21"-K) | 1 | UR |
| 25 | 688-45974-02-98 | PROPELLER (3X13"X23"-K) | 1 | UR |
| 25 | 688-45978-60-98 | PROPELLER (3X13-1/2"X16"-K) | 1 | UR |
| 25 | 688-45932-60-98 | PROPELLER (3X13-1/2"X14"-K) | 1 | UR |
| 25 | 6E5-45952-00-EL | PROPELLER (3X13"X23"-K) | 1 | UR |
| 25 | 6E5-45954-00-EL | PROPELLER (3X14"X11"-K) | 1 | UR |
| 25 | 688-45976-01-98 | PROPELLER (3X13"X25"-K) | 1 | UR |
| 25 | 6E5-45956-00-EL | PROPELLER (3X13"X25"-K) | 1 | UR |
| 25 | 688-45930-02-98 | PROPELLER (3X13"X17"-K) | 1 | UR |
| 25 | 6E5-45943-00-EL | PROPELLER (3X12-5/8"X21"-K) | 1 | UR |

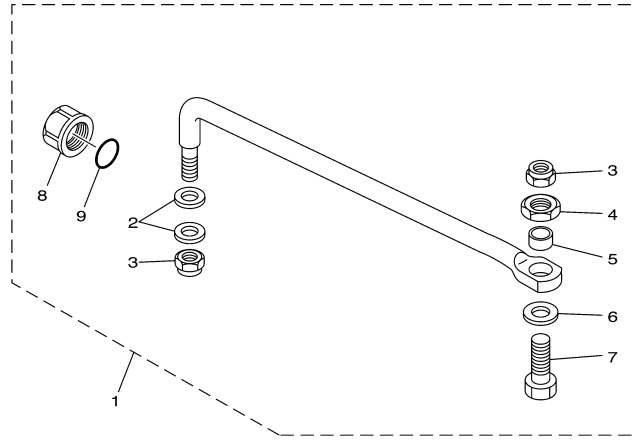
Part Notes

F75TLR 0407 / LOWER CASING DRIVE 2

| PART NUMBER | NOTE TEXT |
|---|--|
| 67F-45371-00-00  | OEM: This part number is among the Top 100 Most Popular Marine Maintenance Parts as of March 2014. |

©2014 Yamaha Motor Corporation, U.S.A. All rights reserved.

F75TLR 0407 / STEERING GUIDE



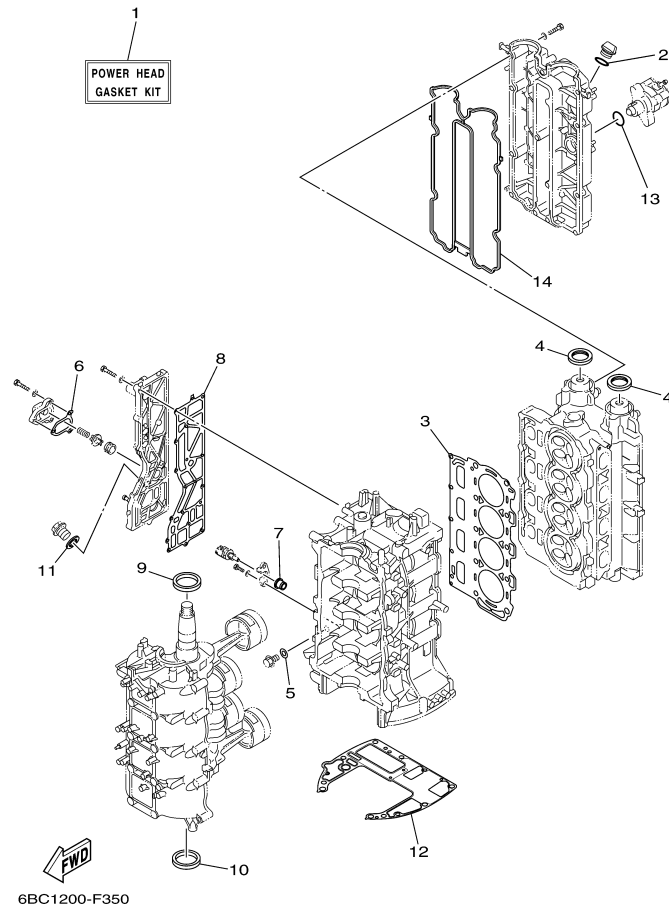
67F0010-9250

Part List

F75TLR 0407 / STEERING GUIDE

| REF - NO | PART NUMBER | PART NAME | QUANTITY | REMARKS |
|----------------|-----------------|----------------------------------|----------|---------|
| 1 | 67F-61350-00-00 | STEERING GUIDE ATTACHMENT KIT | 1 | AP |
| 2 | 90201-10M20-00 | .WASHER, PLATE | 2 | |
| 3 | 90185-09M01-00 | .NUT, SELF-LOCKING | 2 | |
| 4 | 90170-09M03-00 | .NUT | 1 | |
| 5 | 90387-10M42-00 | .COLLAR | 1 | |
| 6 | 90201-10M63-00 | .WASHER, PLATE | 1 | |
| 7 | 90101-09M01-00 | .BOLT | 1 | |
| 8 | 6E5-43145-01-00 | .CAP, CLAMP BRACKET | 1 | |
| 9 | 93210-16275-00 | .O-RING | 1 | |

F75TLR 0407 / REPAIR KIT 1



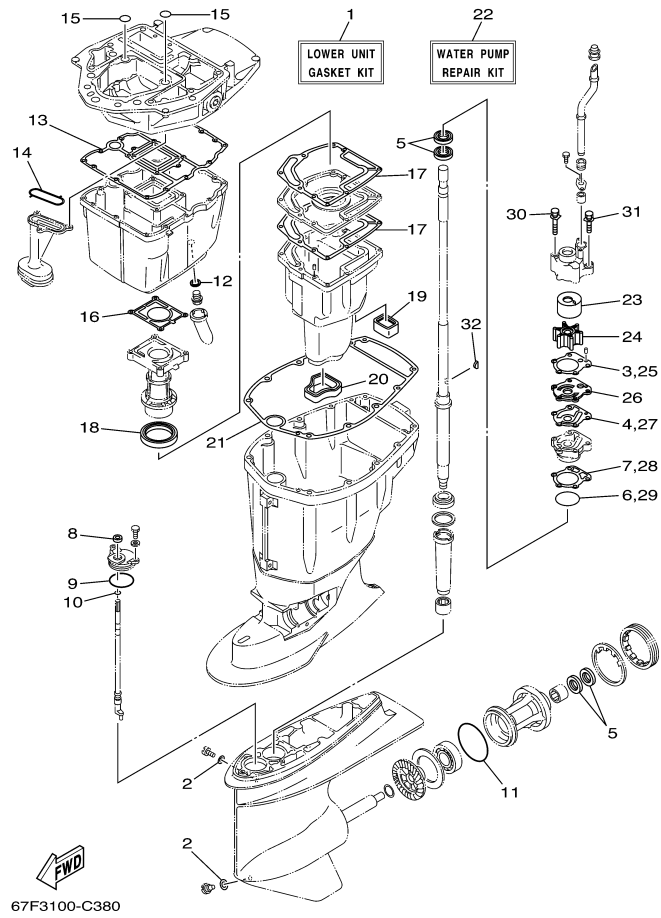
©2014 Yamaha Motor Corporation, U.S.A. All rights reserved.

Part List

F75TLR 0407 / REPAIR KIT 1

| REF - NO | PART NUMBER | PART NAME | QUANTITY | REMARKS |
|----------------|-----------------|---------------------------------|----------|---------|
| 1 | 6D8-W0001-02-00 | POWER HEAD GASKET KIT | 1 | |
| 2 | 93210-24M79-00 | .O-RING | 1 | |
| 3 | 67F-11181-03-00 | .GASKET, CYLINDER HEAD 1 | 1 | |
| 4 | 93102-38M59-00 | .OIL SEAL | 2 | |
| 5 | 90430-14115-00 | .GASKET | 1 | |
| 6 | 67F-12435-A0-00 | .GASKET | 1 | |
| 7 | 68V-85753-00-00 | .GASKET, SENDER UNIT | 1 | |
| 8 | 67F-41114-A2-00 | .GASKET, EXHAUST OUTER COVER | 1 | |
| 9 | 93102-48008-00 | .OIL SEAL | 1 | |
| 10 | 93101-48001-00 | .OIL SEAL | 1 | |
| 11 | 90430-18130-00 | .GASKET | 1 | |
| 12 | 68V-11351-00-00 | .GASKET, CYLINDER | 1 | |
| 13 | 93210-30682-00 | .O-RING | 1 | |
| 14 | 6D8-11356-01-00 | .SEAL, CYLINDER 2 | 1 | |

F75TLR 0407 / REPAIR KIT 2



©2014 Yamaha Motor Corporation, U.S.A. All rights reserved.





Part List

F75TLR 0407 / REPAIR KIT 2

| REF - NO | PART NUMBER | PART NAME | QUANTITY | REMARKS |
|----------|-----------------|-----------------------------|----------|---------|
| 1 | 67F-W0001-21-00 | LOWER UNIT GASKET KIT | 1 | |
| 2 | 90430-08020-00 | .GASKET | 2 | |
| 3 | 688-44315-A0-00 | .GASKET, WATER PUMP | 1 | |
| 4 | 688-44324-A0-00 | .GASKET, CARTRIDGE | 1 | |
| 5 | 93101-25M03-00 | .OIL SEAL | 4 | |
| 6 | 93210-46044-00 | .O-RING | 1 | |
| 7 | 688-44316-A0-00 | .GASKET, WATER PUMP | 1 | |
| 8 | 93106-09014-00 | .OIL SEAL | 1 | |
| 9 | 93210-49046-00 | .O-RING | 1 | |
| 10 | 93210-07003-00 | .O-RING | 1 | |
| 11 | 93210-86M39-00 | .O-RING | 1 | |
| 12 | 90430-14M09-00 | .GASKET | 1 | |
| 13 | 68V-15312-00-00 | .GASKET, OIL PAN | 1 | |
| 14 | 67F-13415-00-00 | .SEAL, OIL STRAINER | 1 | |
| 15 | 93210-19M11-00 | .O-RING | 2 | |
| 16 | 67F-41133-A1-00 | .GASKET, EXHAUST MANIFOLD 1 | 1 | |
| 17 | 67F-41134-A0-00 | .GASKET, EXHAUST MANIFOLD | 2 | |
| 18 | 67F-41138-00-00 | .SEAL, EXT 1 | 1 | |
| 19 | 67F-45127-00-00 | .SEAL | 1 | |
| 20 | 67F-45123-00-00 | .GASKET, MUFFLER | 1 | |
| 21 | 67F-45113-00-00 | .GASKET, UPPER CASING | 1 | |
| 22 | 67F-W0078-00-00 | WATER PUMP REPAIR KIT | 1 | |
| 23 | 67F-44322-00-00 | .INSERT, CARTRIDGE | 1 | |
| 24 | 67F-44352-00-00 | .IMPELLER | 1 | |
| 25 | 688-44315-A0-00 | .GASKET, WATER PUMP | 1 | |
| 26 | 67F-44323-00-00 | .OUTER PLATE, CARTRIDGE | 1 | |
| 27 | 688-44324-A0-00 | .GASKET, CARTRIDGE | 1 | |
| 28 | 688-44316-A0-00 | .GASKET, WATER PUMP | 1 | |
| 29 | 93210-46044-00 | .O-RING | 1 | |
| 30 | 90119-08M87-00 | .BOLT, WITH WASHER | 2 | |
| 31 | 90119-08M13-00 | .BOLT, WITH WASHER | 2 | |
| 32 | 90280-04M04-00 | .KEY, WOODRUFF | 1 | |

Part Notes

F75TLR 0407 / REPAIR KIT 2

| PART NUMBER | | NOTE TEXT |
|----------------|---|--|
| 90430-08020-00 |  | OEM: This part number is among the Top 100 Most Popular Marine Maintenance Parts as of March 2014. |
| 93101-25M03-00 |  | OEM: This part number is among the Top 100 Most Popular Marine Maintenance Parts as of March 2014. |
| 93106-09014-00 |  | OEM: This part number is among the Top 100 Most Popular Marine Maintenance Parts as of March 2014. |
| 90430-14M09-00 |  | OEM: This part number is among the Top 100 Most Popular Marine Maintenance Parts as of March 2014. |

©2014 Yamaha Motor Corporation, U.S.A. All rights reserved.

F75TLR 0407 / MODELS IN THIS CATALOG

F75TLR 62P-1010402 ~

(6D64)

F90TLR 61P-1028830 ~

F90TXR 61P-1028830 ~

F90TJR 61P-1028830 ~

(6D84)

**ALL THESE MODELS USE THIS SAME PARTS CATALOG.
BE SURE TO ORDER ONLY THOSE PARTS APPLICABLE
TO THE DESIRED MODEL.**

©2014 Yamaha Motor Corporation, U.S.A. All rights reserved.

©2014 Yamaha Motor Corporation, U.S.A. All rights reserved.