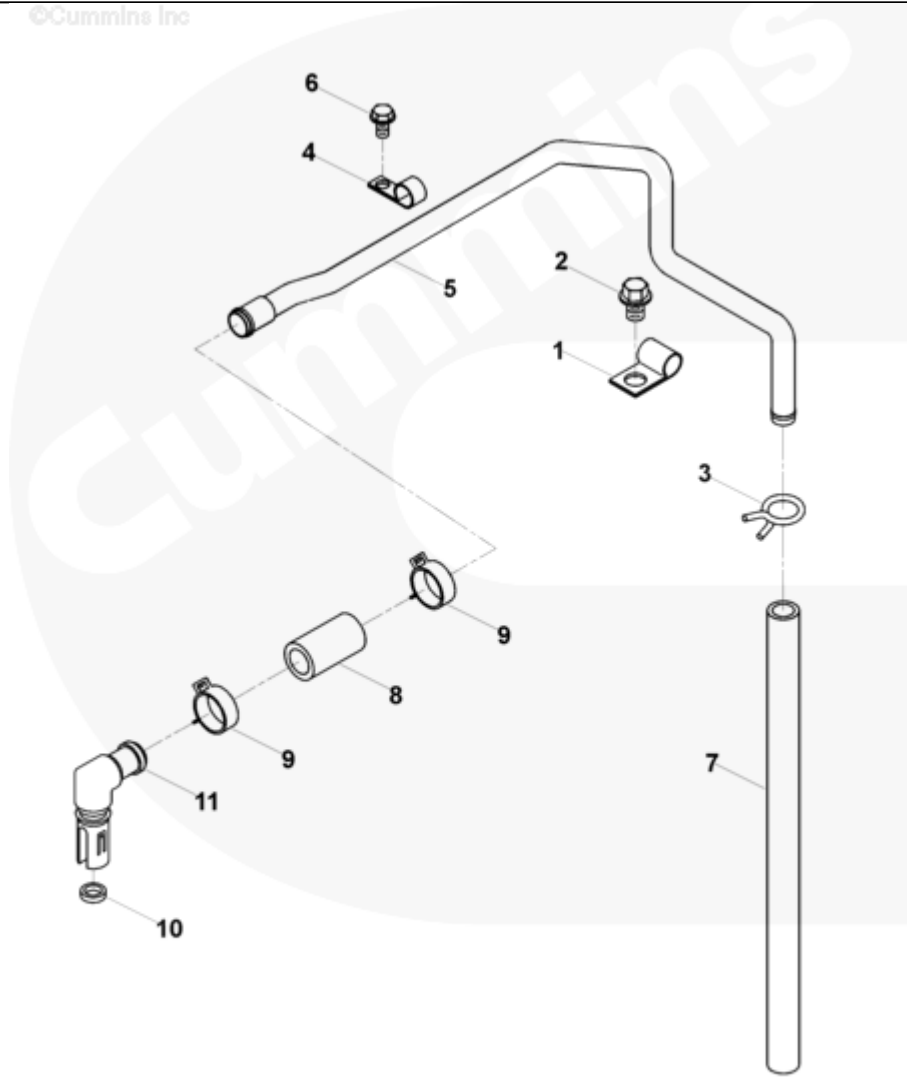




Parts Catalog - Option Detail

Electronic Parts Catalog - Option Detail				
Option	Group	Graphic	Film Card	Date
BR9002-04	03.02	br950gh	Z	26-JAN-00
Engines	6C8.3, C GAS PLUS CM556, G8.3, G8.3 CM558, GTA8.3 CM558, ISC CM2150, ISC CM554, ISC CM850, ISC8.3 CM2250, ISC8.3 G CM2180 C101, ISL CM2150, ISL CM554, ISL CM850, ISL G CM2180, ISL8.9 CM2150 L110, ISL8.9 CM2880 L112, ISL9 CM2150 SN, ISL9 CM2250, ISL9 CM2350 L101, ISL9 CM2350 L111, ISLE4 CM850, L GAS PLUS CM556, L8.9, L8.9 L121, L8.9G CMOH2.0 L125B, L9 CM2350 L116B, L9 CM2350 L119B, L9 CM2350 L120C, L9 CM2350 L123B, L9.3 L105, L9.5 L117, L9N CM2380 L124B, QSC8.3 CM2250, QSC8.3 CM2880 C102, QSC8.3 CM554, QSC8.3 CM850(CM2850), QSL9 CM2250, QSL9 CM2250 L115, QSL9 CM2350 L102, QSL9 CM2350 L107, QSL9 CM2350 L118, QSL9 CM2350 L122, QSL9 CM554, QSL9 CM850(CM2850), QSL9 G CM558, QSL9 M CM2250 L106, QSL9.3 CM2880 L113			



br950gh

Cart	Ref No	Part Number	Part Description	Required	Remarks
<input type="button" value="View My Cart"/>					
		BR9002-04	Crankcase Breather		MR - BREATHER, CRANKCASE...(More)
					Engine Design Phase: Current
					Product
					Breather Type: Open
					Breather Vent Tube End
					Location: Below Oil Pan Rail
					Tube Routing: Fuel Pump Side
					Attachment Clip Provision:
					Yes
					Breather Vent Location:
					Between 3 & 4
					Required Mounting Provision
					(mm): 22.26 (Diameter)
					Filter Supply Method:
					Mounted
					Fuel Type: Diesel
					Plumbing Mounting
					Responsibility: Cummins
					Tube Routes Ahead of Rear
					Lift Bracket: No
					Attaches to Front Cover: No
					Engine Family: C Series
<input type="checkbox"/>	1	70622	Clip	1	
<input type="checkbox"/>	2	3901249	Hexagon Flange Head Cap Screw	1	M12 X 1.75 X 25.
<input type="checkbox"/>	3	3907740	Spring Hose Clamp	1	
<input type="checkbox"/>	4	3907741	Clip	1	
<input type="checkbox"/>	5	3909669	Breather Tube	1	

<input type="checkbox"/>	6	3912072	Self Tapping Metal Screw	1	M8 x 1.25 x 15
<input type="checkbox"/>	7	3918616	Plain Hose	1	
<input type="checkbox"/>	8	3930827	Plain Hose	1	
<input type="checkbox"/>	9	3937613	Hose Clamp	2	
<input type="checkbox"/>	10	3936331	Rectangular Ring Seal	1	
<input type="checkbox"/>	11	3935113	Vent Connection	1	Service With 3934865 Seal

© 2019 Cummins Inc., Box 3005, Columbus, IN 47202-3005 U.S.A.
Terms of Use and Disclaimers | Recommended System Requirements
Need Assistance? Please click on the Contact Us button in the top right corner of any page.