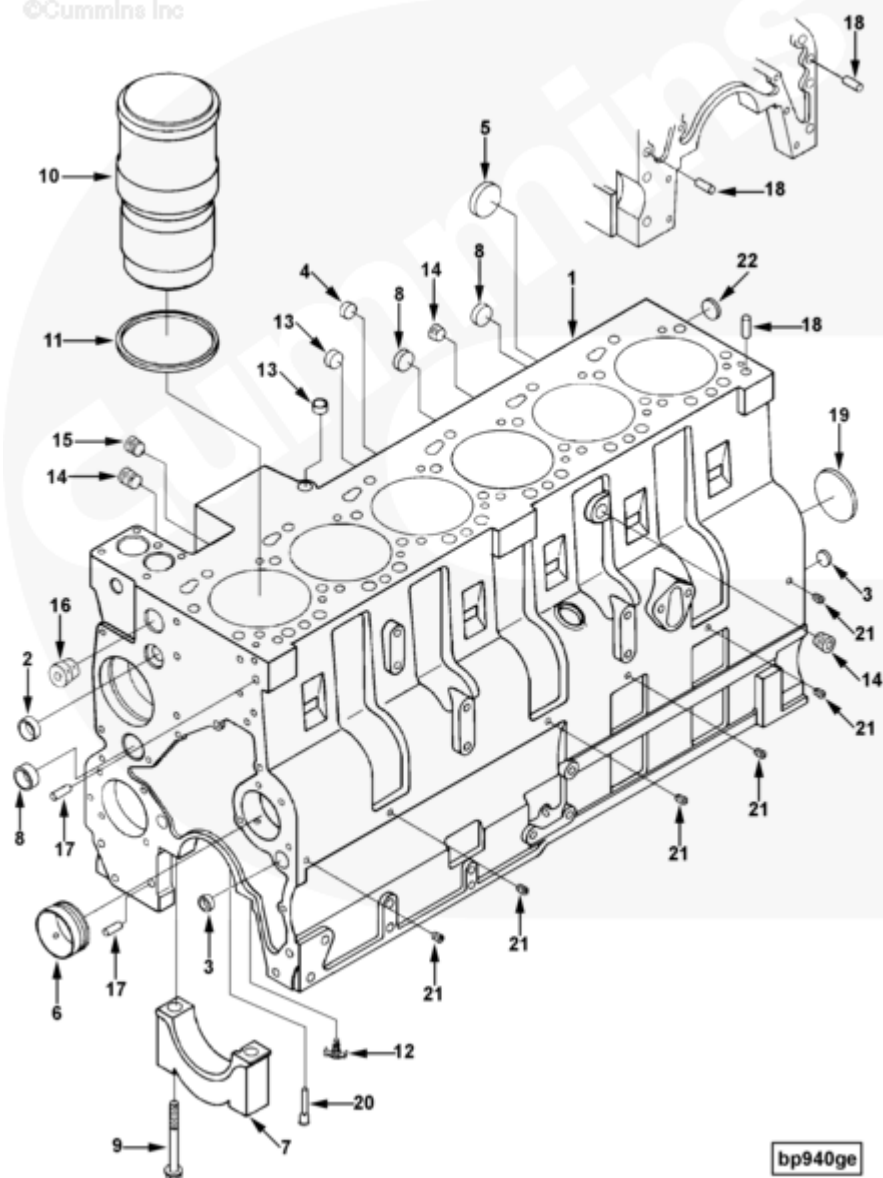




Parts Catalog - Option Detail

Electronic Parts Catalog - Option Detail				
Option	Group	Graphic	Film Card	Date
BP97003-03	01.01	bp940ge	Z	20-JUL-95
Engines	6C8.3, C GAS PLUS CM556, G8.3, G8.3 CM558, GTA8.3 CM558, ISC CM2150, ISC CM554, ISC CM850, ISC8.3 CM2250, ISC8.3 G CM2180 C101, ISL CM2150, ISL CM554, ISL CM850, ISL G CM2180, ISL8.9 CM2150 L110, ISL8.9 CM2880 L112, ISL9 CM2150 SN, ISL9 CM2250, ISL9 CM2350 L101, ISL9 CM2350 L111, ISLE4 CM850, L GAS PLUS CM556, L8.9, L8.9 L121, L8.9G CMOH2.0 L125B, L9 CM2350 L116B, L9 CM2350 L119B, L9 CM2350 L120C, L9 CM2350 L123B, L9.3 L105, L9.5 L117, L9N CM2380 L124B, QSC8.3 CM2250, QSC8.3 CM2880 C102, QSC8.3 CM554, QSC8.3 CM850(CM2850), QSL9 CM2250, QSL9 CM2250 L115, QSL9 CM2350 L102, QSL9 CM2350 L107, QSL9 CM2350 L118, QSL9 CM2350 L122, QSL9 CM554, QSL9 CM850(CM2850), QSL9 G CM558, QSL9 M CM2250 L106, QSL9.3 CM2880 L113			



SMALL | MEDIUM | LARGE

Cart	Ref No	Part Number	Part Description	Required	Remarks
<input type="button" value="View My Cart"/>					
		BP97003-03	Cylinder Block		
					Engine: C Series
					Cylinders: 6
					Aspiration: Sea Water
					Aftercooled
					Turbo Exh. Outlet Location:
					Rear Mount
					Restricted Fuel Pump
					Mfg/Model:
					Bosch A
					Bosch MW
					156075 expansion plug to be
					installed in lower hole in
					rear of block.
<input type="checkbox"/>		3929606	Cylinder Block	1	
<input type="checkbox"/>	1	3929524	Cylinder Block	1	
<input type="checkbox"/>	2	143066	Expansion Plug	1	
<input type="checkbox"/>	3	3004258	Expansion Plug	4	
	5	3812090	Expansion Plug	1	
<input type="checkbox"/>	6	3901685	Bushing	7	
<input type="checkbox"/>	7	3917313	Main Bearing Cap	7	
<input type="checkbox"/>	8	3905401	Expansion Plug	4	
<input type="checkbox"/>	9	3916369	Hexagon Flange Head Cap Screw	14	M14 x 2.00 x 128
<input type="checkbox"/>		3802407	Liner Kit	6	
	10	3919937	Cylinder Liner	1	Sold In Higher Level Assy/Kit
<input type="checkbox"/>	11	3907177	Rectangular Ring Seal	1	
<input type="checkbox"/>		3802367	Cylinder Block Hardware Kit	1	
<input type="checkbox"/>	4	156075	Expansion Plug	1	1 3/16 in.

<input type="checkbox"/>	12	S 923 E	Draincock	1	
<input type="checkbox"/>	13	3920706	Expansion Plug	1	
<input type="checkbox"/>	14	3008468	Pipe Plug	5	1/2 NPT.
<input type="checkbox"/>	15	3008469	Pipe Plug	2	3/4 NPT
<input type="checkbox"/>	16	3008470	Pipe Plug	1	1 NPT.
<input type="checkbox"/>	17	3900257	Pin Dowel	2	
<input type="checkbox"/>	18	3901846	Pin Dowel	4	
<input type="checkbox"/>	19	3901969	Expansion Plug	1	
<input type="checkbox"/>	20	3919003	Piston Cooling Nozzle	12	
<input type="checkbox"/>	21	3906619	Pipe Plug	6	1/8 NPT.
<input type="checkbox"/>		3926048	O-Ring Seal	1	
<input type="checkbox"/>		3914653	Shim	A/R	.010 Inch Oversize
<input type="checkbox"/>		3924445	Shim	A/R	0.25mm Oversize (0.010 in.)
<input type="checkbox"/>		3924446	Shim	A/R	0.38mm Oversize (0.015 in.)
<input type="checkbox"/>		3924447	Shim	A/R	0.51mm Oversize (0.020 in.)
<input type="checkbox"/>		3924448	Shim	A/R	0.75mm Oversize (0.030 in.)
<input type="checkbox"/>		3924449	Shim	A/R	1.00mm Oversize (0.040 in.)