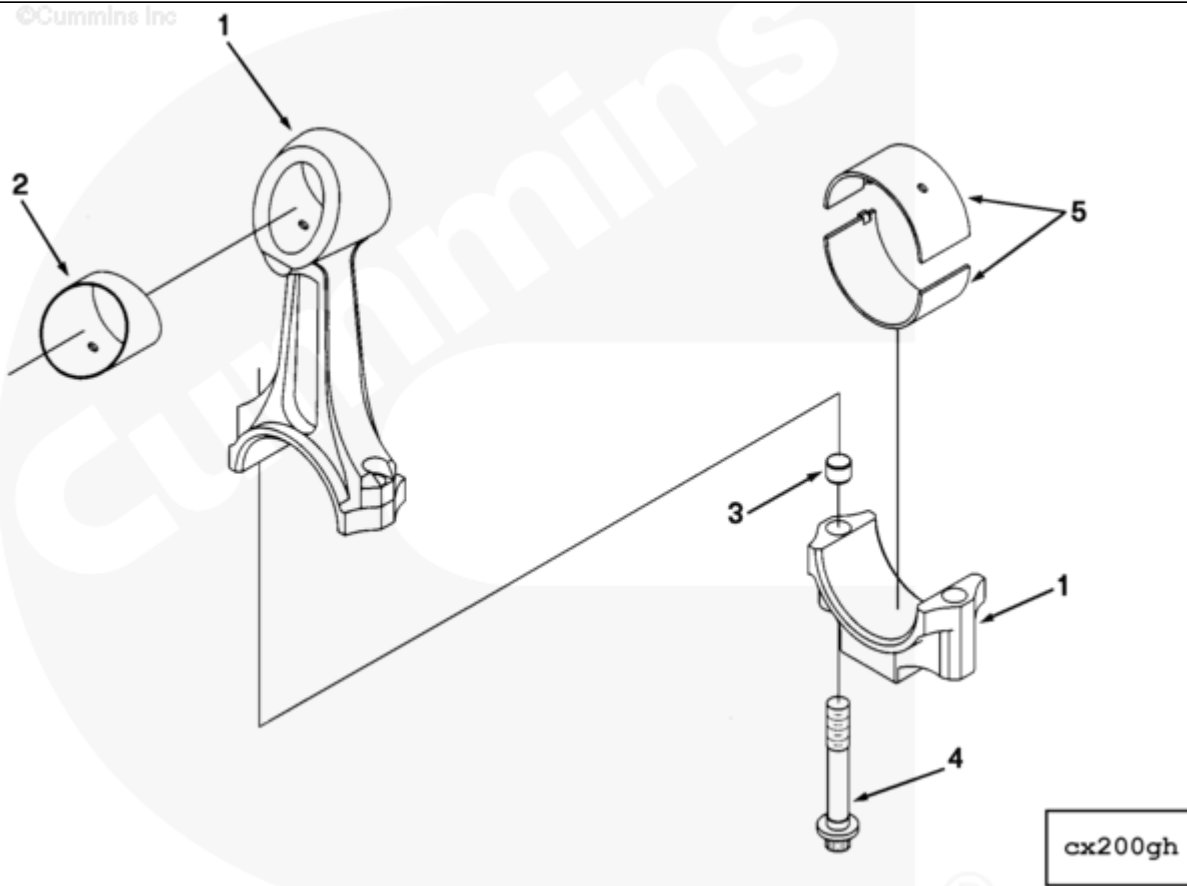




Parts Catalog - Option Detail

Electronic Parts Catalog - Option Detail				
Option	Group	Graphic	Film Card	Date
PP8363	01.04	cx200gh	II	30-AUG-02
Engines	ISM CM570, ISM CM570/870, ISM CM875, ISM CM876, ISM CM876 E, ISM11 CM876 M103, ISM11 CM876 SN, M11 CELECT, M11 CELECT PLUS, M11 MECHANICAL, QSM11 CM570, QSM11 CM876			



SMALL | MEDIUM | LARGE

Cart	Ref No	Part Number	Part Description	Required	Remarks
View My Cart					
		PP8363	Connecting Rod		
					Connecting Rod
<input type="checkbox"/>		3899450	Engine Connecting Rod		Recon Equivalent 3899450 RX
	1	3896970	Engine Connecting Rod	1	
	2	3896894	Bushing	1	

<input type="checkbox"/>					
<input type="checkbox"/>	3	3027106	Ring Dowel	2	
<input type="checkbox"/>	4	3027108	Connecting Rod Cap Screw	2	M14 x 1.50 x 91
<input type="checkbox"/>	5	3016760	Connecting Rod Bearing	12	Standard
<input type="checkbox"/>	5	3016761	Connecting Rod Bearing	12	0.25 mm Oversize
<input type="checkbox"/>	5	3016762	Connecting Rod Bearing	12	0.50 mm Oversize
<input type="checkbox"/>	5	3016763	Connecting Rod Bearing	12	0.75 mm Oversize
<input type="checkbox"/>	5	3016764	Connecting Rod Bearing	12	1.00 mm Oversize

© 2019 Cummins Inc., Box 3005, Columbus, IN 47202-3005 U.S.A.
Terms of Use and Disclaimers | Recommended System Requirements
Need Assistance? Please click on the Contact Us button in the top right corner of any page.