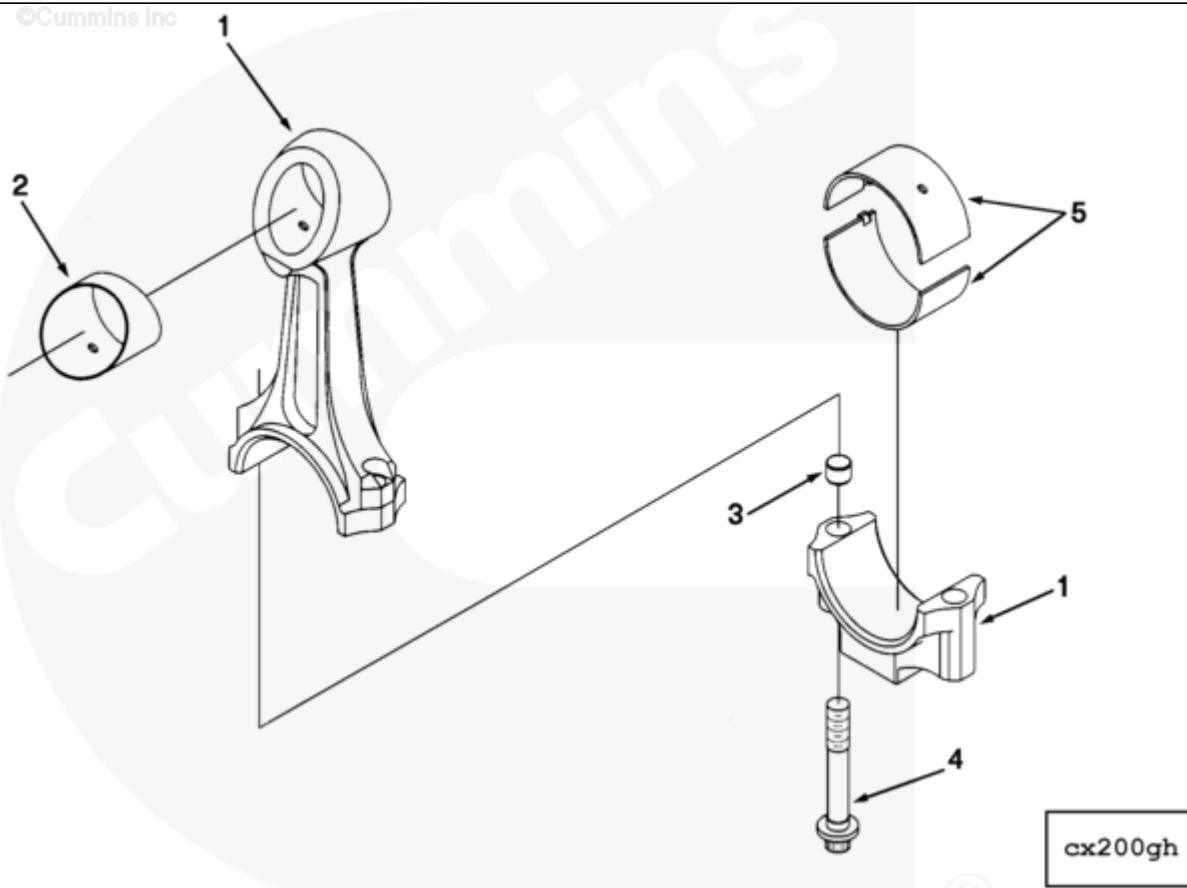




## Parts Catalog - Option Detail

Electronic Parts Catalog - Option Detail				
Option	Group	Graphic	Film Card	Date
PP8363-01	01.04	cx200gh	II	21-MAR-05
<b>Engines</b>	ISM CM570, ISM CM570/870, ISM CM875, ISM CM876, ISM CM876 E, ISM11 CM876 M103, ISM11 CM876 SN, M11 CELECT, M11 CELECT PLUS, M11 MECHANICAL, QSM11 CM570, QSM11 CM876			



[SMALL](#) | [MEDIUM](#) | [LARGE](#)

Cart	Ref No	Part Number	Part Description	Required	Remarks
<a href="#">View My Cart</a>					
		<a href="#">PP8363-01</a>	Connecting Rod		
					Connecting Rod
<input type="checkbox"/>		<a href="#">3899450</a>	Engine Connecting Rod		Recon Equivalent 3899450 RX
	1	<a href="#">3896970</a>	Engine Connecting Rod	1	

<input type="checkbox"/>	2	<a href="#">3896894</a>	Bushing	1	
<input type="checkbox"/>	3	<a href="#">3027106</a>	Ring Dowel	2	
<input type="checkbox"/>	4	<a href="#">3027108</a>	Connecting Rod Cap Screw	2	M14 x 1.50 x 91
<input type="checkbox"/>	5	<a href="#">3016760</a>	Connecting Rod Bearing	12	Standard
<input type="checkbox"/>	5	<a href="#">3016761</a>	Connecting Rod Bearing	12	0.25 mm Oversize
<input type="checkbox"/>	5	<a href="#">3016762</a>	Connecting Rod Bearing	12	0.50 mm Oversize
<input type="checkbox"/>	5	<a href="#">3016763</a>	Connecting Rod Bearing	12	0.75 mm Oversize
<input type="checkbox"/>	5	<a href="#">3016764</a>	Connecting Rod Bearing	12	1.00 mm Oversize

© 2019 Cummins Inc., Box 3005, Columbus, IN 47202-3005 U.S.A.  
Terms of Use and Disclaimers | Recommended System Requirements  
Need Assistance? Please click on the Contact Us button in the top right corner of any page.