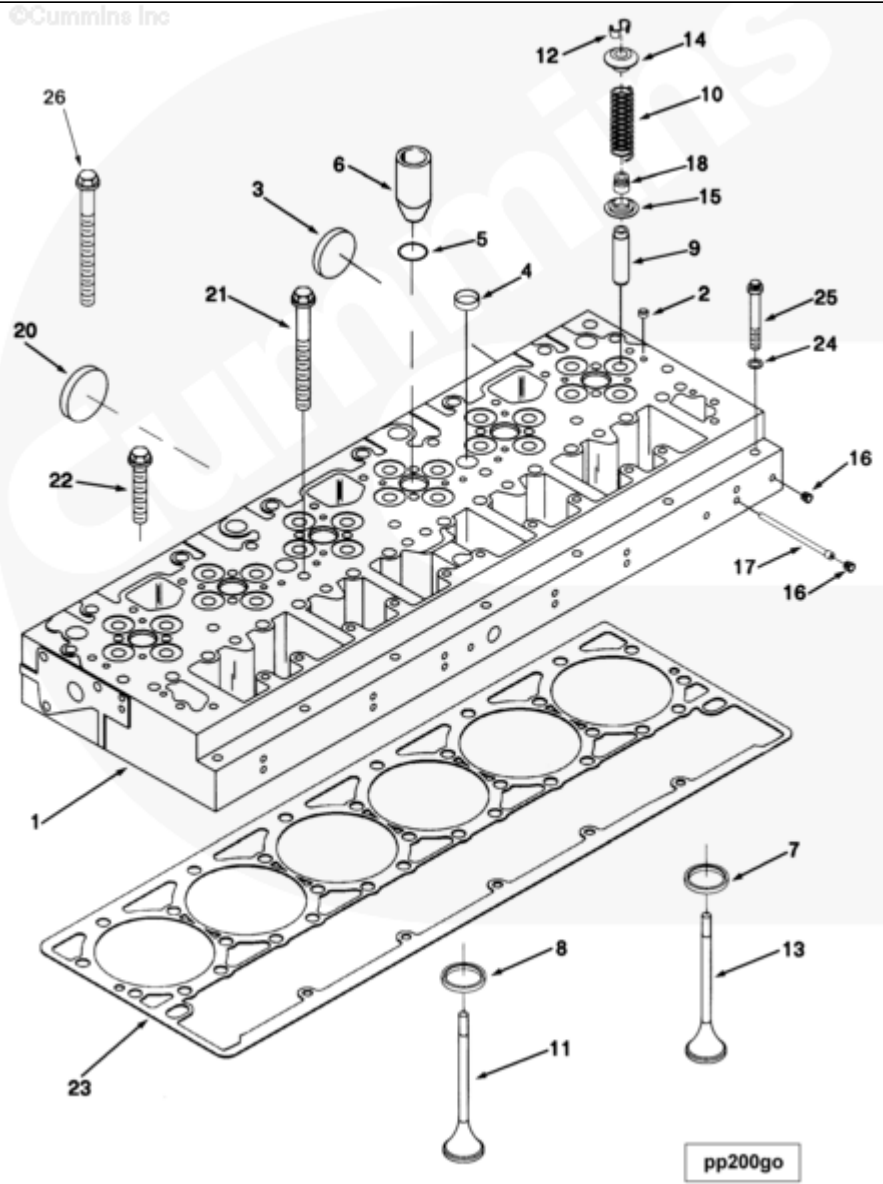




Parts Catalog - Option Detail

Electronic Parts Catalog - Option Detail				
Option	Group	Graphic	Film Card	Date
PP8363	02.01	pp200go	II	30-AUG-02
Engines	ISM CM570, ISM CM570/870, ISM CM875, ISM CM876, ISM CM876 E, ISM11 CM876 M103, ISM11 CM876 SN, M11 CELECT, M11 CELECT PLUS, M11 MECHANICAL, QSM11 CM570, QSM11 CM876			



SMALL | MEDIUM | LARGE

Cart	Ref No	Part Number	Part Description	Required	Remarks
View My Cart					
		PP8363	Cylinder Head		

					Cylinder Head
<input type="checkbox"/>		3418026	Head , Cylinder Top Level Assembly		
<input type="checkbox"/>	1	3418027	Cylinder Head	1	
<input type="checkbox"/>	2	3007632	Expansion Plug	2	0.378 Dia
<input type="checkbox"/>	3	206741	Expansion Plug	2	
<input type="checkbox"/>	4	3007635	Expansion Plug	8	1 inch
<input type="checkbox"/>	5	3035026	O-Ring Seal	6	
<input type="checkbox"/>	6	3417717	Injector Sleeve	6	
<input type="checkbox"/>	7	3090704	Valve Insert	12	
<input type="checkbox"/>	8	3090703	Valve Insert	12	Intake
<input type="checkbox"/>	9	3328786	Valve Stem Guide	24	
<input type="checkbox"/>	10	3895860	Valve Spring	24	
<input type="checkbox"/>		4024802	Exhaust Valve Kit		
	11	3417989	Exhaust Valve	12	
<input type="checkbox"/>	12	3275354	Valve Collet	24	
<input type="checkbox"/>		3800637	Exhaust Valve Kit		
	13	3417779	Exhaust Valve	12	Use as intake valve on this
					application only
<input type="checkbox"/>	12	3275354	Valve Collet	24	
<input type="checkbox"/>	14	3883512	Valve Spring Retainer	24	
<input type="checkbox"/>	15	3070072	Valve Spring Guide	24	
<input type="checkbox"/>	16	3008465	Pipe Plug	16	1/8 NPT
<input type="checkbox"/>	17	3820749	Orifice Plug	6	
<input type="checkbox"/>	18	4003966	Valve Stem Seal	24	Spring Color: Steel
<input type="checkbox"/>	20	3895479	Expansion Plug	2	
<input type="checkbox"/>	21	3045850	Hexagon Flange Head Cap Screw	29	M14 x 1.50 x 140
	22	4022907	Hexagon Flange Head Cap Screw	3	M14 x 1.50 x 71

<input type="checkbox"/>					
	23	4022500	Cylinder Head Gasket	1	
<input type="checkbox"/>	24	3328328	Sealing Washer	7	M10
<input type="checkbox"/>	25	3328637	Studded Flange Cap Screw	5	M10 x 1.50 x 75
<input type="checkbox"/>	26	3328379	Hexagon Flange Head Cap Screw	2	M10 x 1.50 x 75
<input type="checkbox"/>		3074118	Valve Stem Guide		.20 mm Oversize
<input type="checkbox"/>		3095245	Valve Insert		.25 mm Oversize
<input type="checkbox"/>		3095246	Valve Insert		.50 mm Oversize
<input type="checkbox"/>		3095247	Valve Insert		.75 mm Oversize
<input type="checkbox"/>		3095248	Valve Insert		1.00 mm Oversize
<input type="checkbox"/>		3095241	Valve Insert		.25 mm Oversize
<input type="checkbox"/>		3095242	Valve Insert		.50 mm Oversize
<input type="checkbox"/>		3095243	Valve Insert		.75 mm Oversize
<input type="checkbox"/>		3095244	Valve Insert		1.00 mm Oversize